

Speed-up and Splitter Gearboxes



Contents

General Information	4 - 5
Speed-up Gearboxes Series 60000 - 10 kw	6 - 7
Speed-up Gearboxes Series 70000 - 20 kw	8 - 9
Speed-up Gearboxes Series 70000 (through-shaft) - 20 kw	10 - 11
Speed-up Gearboxes Series 80000 - 36 kw	12 - 13
Speed-up Gearboxes Series 7012 (cast-iron housing) - 37 kw	14 - 15
Speed-up Gearboxes Series 92000 (MLT 3,5) (cast-iron housing) - 40 kw	16 - 17
Speed-up Gearboxes Series 97601 (cast-iron housing) - 68 kw	18 - 19
Speed-up Gearboxes Series 97701 (cast-iron housing) - 68 kw	20 - 21
Splitter Gearboxes Series 85000 - 35 kw	22 - 23
Splitter Gearboxes Series 90000 - 45 kw	24 - 25
Splitter Gearboxes Series 91000 - 74 kw	26 - 27
Pump Flanges for Gearboxes Series 60000 - 70000 - 70012 - 85000	28
Pump Flanges for Gearboxes Series 80000 - 90000 - 91000	29

General Information

Speed-up and Splitter Gearboxes

They are used for installing hydraulic pumps on the farm tractor power take-off.

Max. output speed of the power take-off is 1000 n/min. which can be modified to the proper running speed of the hydraulic pump.

Different input speed can also be suitable, provided that the output speed is not higher than 3000 n/min.

GEARBOX:

Made in aluminium alloy or cast iron with high mechanical resistance.

GEARS:

In compliance with ISO - DIN 3990-88 standard.

Made in treated steel UNI 18 PCR Mo 3 with properly shaved teeth.

Stub teeth guarantee high resistance and low noise.

SHAFT:

Made in treated steel UNI 16 Cr Ni 4 and key coupled with gears.

They are coupled with gears via splined parts and are thus more suitable to transmit the torque stated in the catalogue.

TORQUE:

The torque mentioned in the technical charts refer to continuous duty.

For intermittent duty the torque may be higher by 20%.

LUBRICATION:

Use oil SAE 90 to ensure proper running and long life of the unit.

Check the oil level via the level gauge every 1500 hours.

Carry out first oil change after 60-80 working hours.

WORKING TEMPERATURE:

The working temperature should not exceed 120°C under continuous duty.

HYDRAULIC PUMP INSTALLATION:

The installation of the hydraulic pumps on the gearboxes require a coupling sleeve and adapter flange according to the specific requirements.

When ordering please specify pump flange and shaft type.

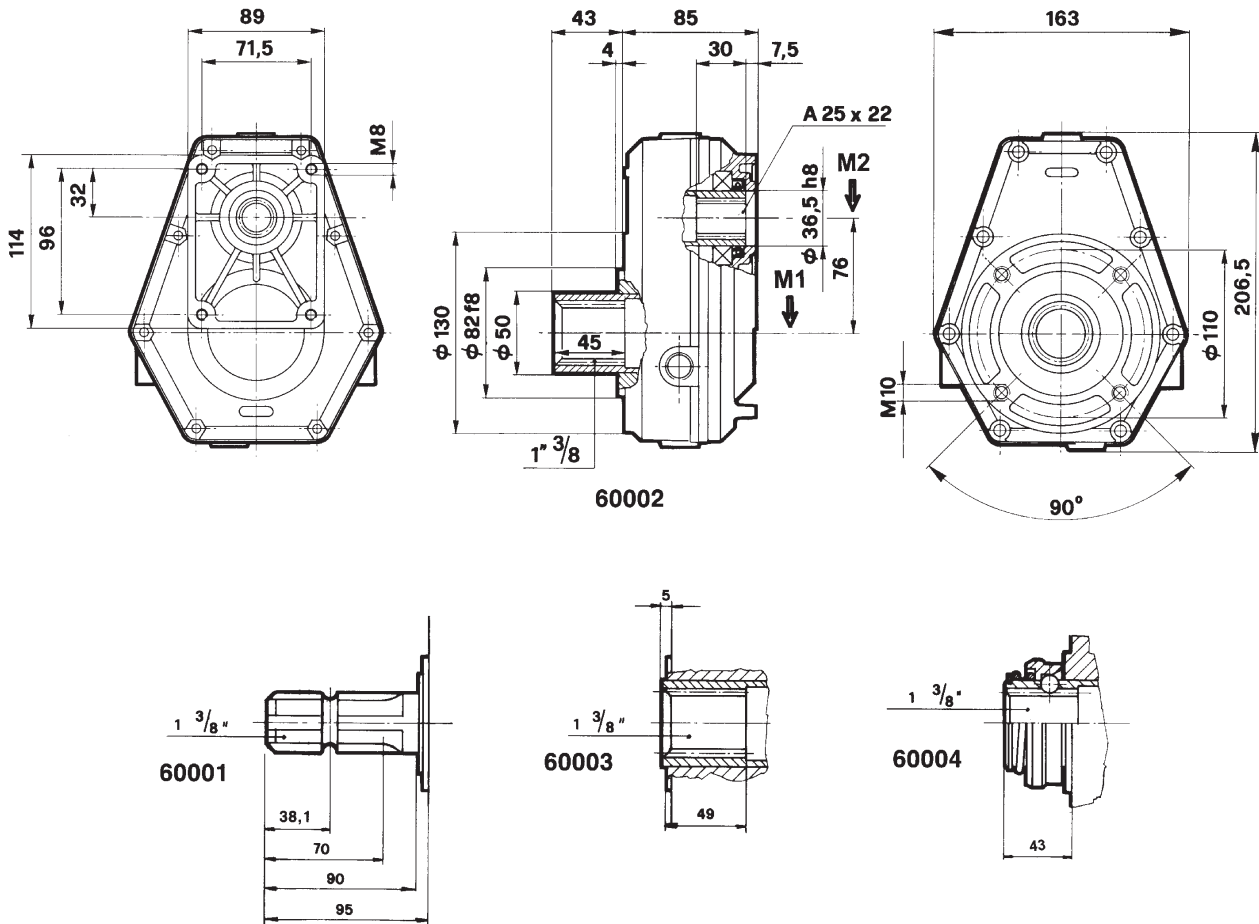
Please contact our Tech. Dpt. for special components with working characteristics not mentioned in this catalogue.

General Information
Speed-up and Splitter Gearboxes
Product Overview

	Gearbox Series	Power kW	Pump group	Housing
Speed-up	60000	10	Gr. 2	Aluminium
	70000	20	Gr. 3	Aluminium
	70000 through shaft	20	Gr. 3	Aluminium
	80000	36	Gr. 3,5	Aluminium
	70012	37	Gr. 3	Cast Iron
	92000 (MTL 3,5)	40	Gr. 3,5	Cast Iron
	97601	68	SAE A - B	Cast Iron
	97701	68	Gr. 2 - 3	Cast Iron
Splitter	85000	36	Gr. 2 - 3	Aluminium
	90000	45	Gr. 3 - 3,5	Aluminium
	91000	74	Gr. 4	Aluminium

Speed-up Gearboxes Series 60000-10 kW Outlet pump flange Gr. 2

INSTALLATION DRAWING



Housing oil capacity: lt. 0,220

INPUT TORQUE M 1 daNm	OUTPUT TORQUE M 2 daNm	INPUT SPEED N 1 n/min.	OUTPUT SPEED N 2 n/min.	RATIO N 2 / N 1	POWER kW	MASS kg
17,8	11,9	540	810	1,5	10	5,5
15,2	7,6	540	1080	2	10	5,5
16,5	6,6	540	1350	2,5	10	5,5
18	5,5	540	1680	3	10	5,5
18,6	5,8	540	1836	3,5	10	5,5
15,9	4,2	540	2052	3,8	10	5,5

Speed-up Gearboxes Series 60000-10 kW Outlet pump flange Gr. 2

ORDER CODE

6000

1

-

1

-

-

Speed-Up Gearbox Series 60000
Outlet pump flange Gr. 2

Flanges: see page 28

Special versions

Inlet shaft

1 - Male shaft A SAE 1-3/8"

2 - Long Female shaft A SAE 1-3/8"

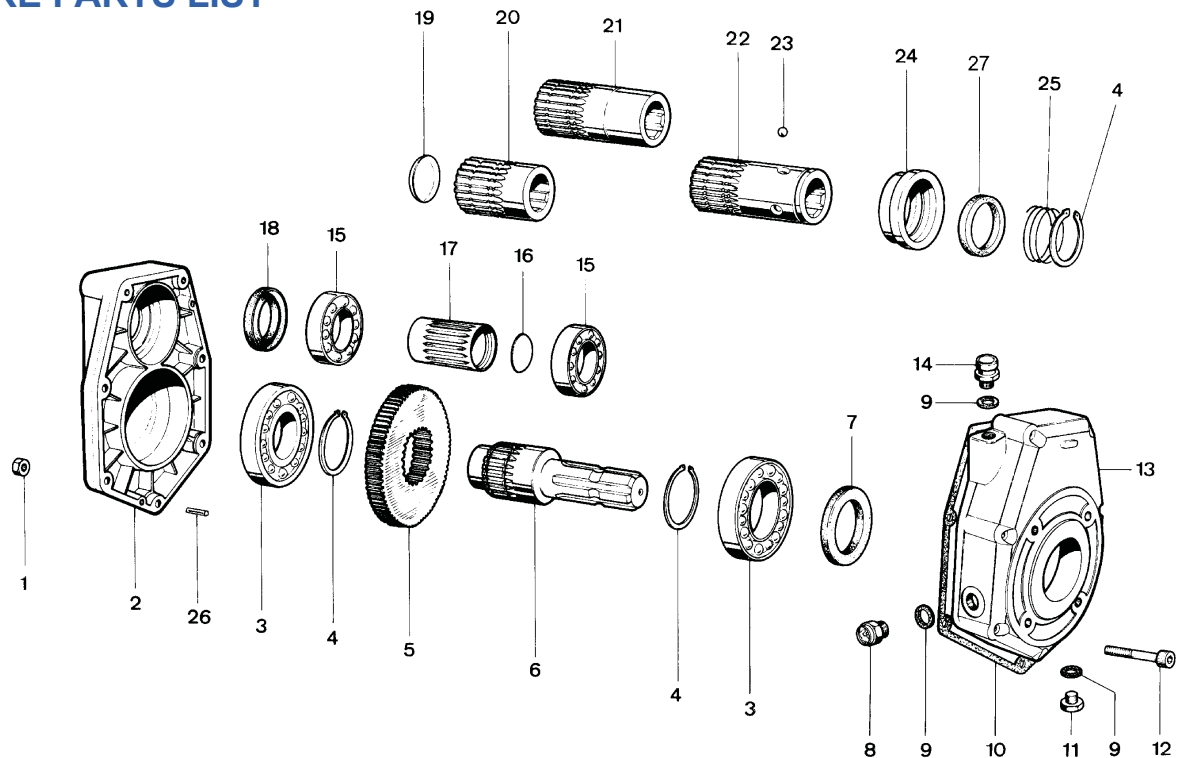
3 - Short Female shaft A SAE 1-3/8"

4 - Quick Coupling Female shaft A SAE 1-3/8"

Gear Ratio N2 / N1

Code - Ratio	Shaft	1	2	3	4
1 - 1,5		x	x	x	x
2 - 2		x	x	x	x
3 - 2,5		x	x	x	x
4 - 3		x	x	x	x
5 - 3,5		x	x	x	x
6 - 3,8		x	x	x	x
blank - not available		x	- Available		

SPARE PARTS LIST



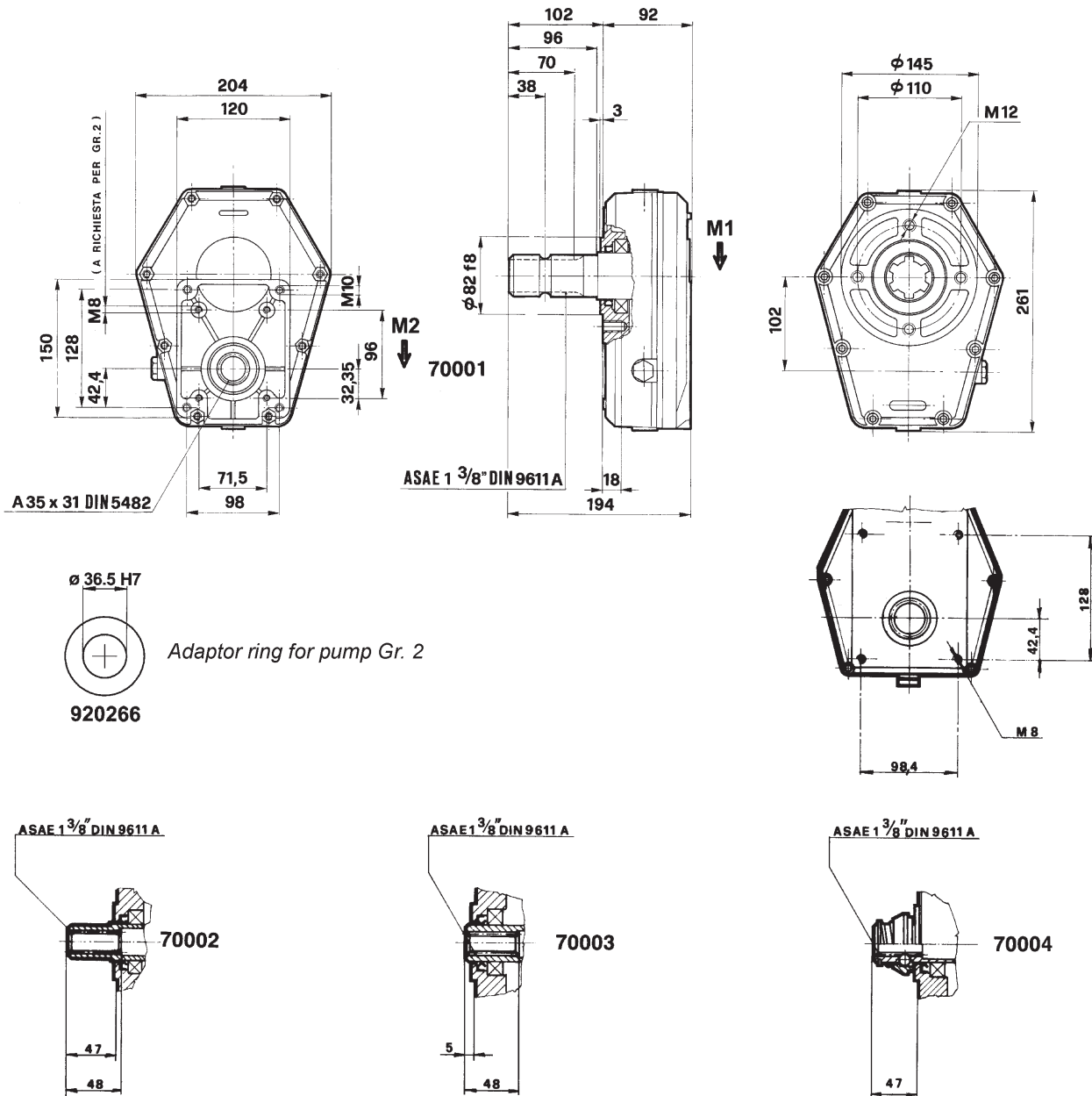
REF.	DESCRIPTION	Q.ty
1	Nut M6	8
2	Cover	1
3	Bearing type 6010	2
4	Snap ring dia. 50	3
5	Ring gear	1
6	Male P.T.O. shaft 1" 3/8	1
7	Sealing ring Ø 50x65x8	1
8	Oil level plug 3/8"	1
9	Gasket	3
10	Gasket	1

REF.	DESCRIPTION	Q.ty
11	Oil drain plug 3/8"	1
12	Socket capscrew M6x50	8
13	Housing	1
14	Oil breather plug 3/8"	1
15	Bearing type 6007	2
16	Cap DIN 470 Ø 27	1
17	Pinion Gear	1
18	Sealing ring Ø 35x52x7	1
19	Cap DIN 470 Ø 40	1

REF.	DESCRIPTION	Q.ty
20	Female P.T.O. shaft 1" 3/8 short	1
21	Female P.T.O. shaft 1" 3/8 long	1
22	Female P.T.O. shaft 1" 3/8 quick coupling	1
23	Ball	3
24	Spring ring	1
25	Spring	1
26	Peg 5x16	2
27	Ring	1

Speed-up Gearboxes Series 70000-20 kW Outlet pump flange Gr. 3

INSTALLATION DRAWING



Housing oil capacity lt: 0,350

INPUT TORQUE M 1 daNm	OUTPUT TORQUE M 2 daNm	INPUT SPEED N 1 n/min.	OUTPUT SPEED N 2 n/min.	RATIO N 2 / N 1	POWER kW	MASS kg
31	31	540	540	1	20	8,1
38	26	540	810	1,5	20	8,1
43	21	540	1080	2	20	8,1
46	18	540	1408	2,5	20	8,1
49	16	540	1620	3	20	8,1
46	13	540	1836	3,5	20	8,1
43,7	11,5	540	2057	3,8	20	8,1

Speed-up Gearboxes Series 70000-20 kW Outlet pump flange Gr. 3

ORDER CODE

7000

1

-

1

-

-

Speed-Up Gearbox Series 70000
Outlet pump flange Gr. 3

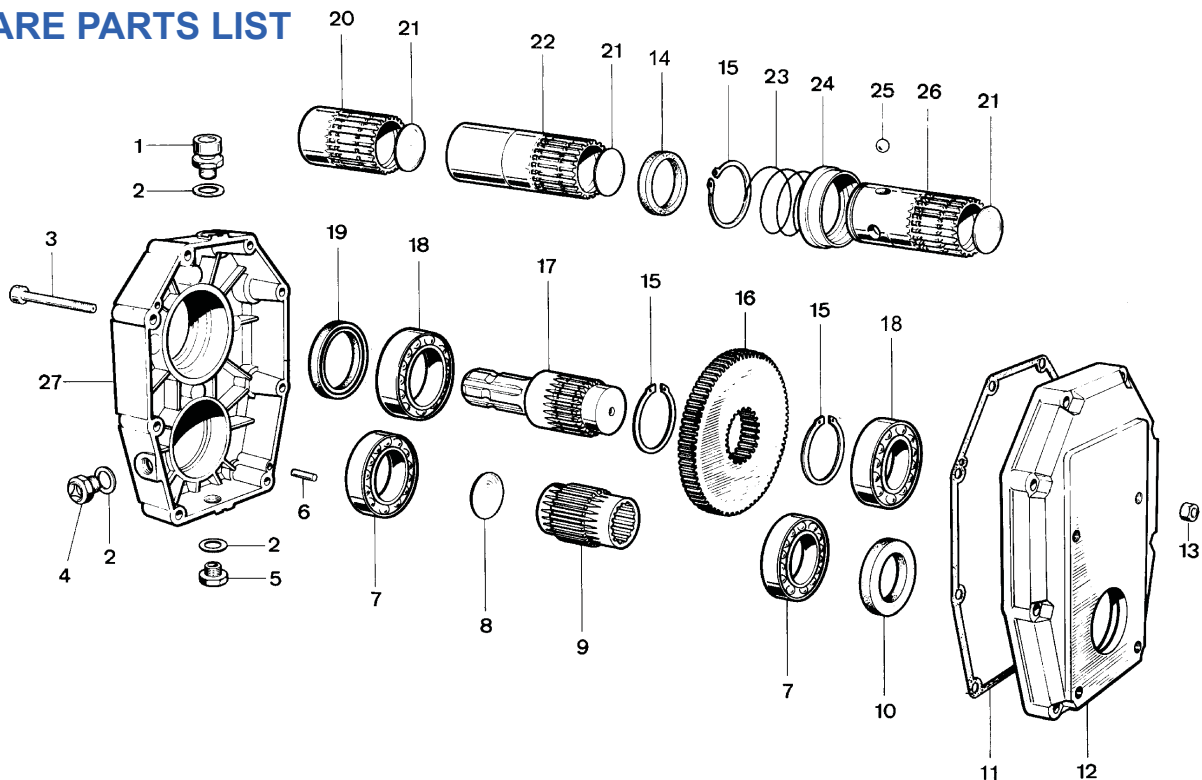
Inlet shaft
1 - Male shaft A SAE 1-3/8"
2 - Long Female shaft A SAE 1-3/8"
3 - Short Female shaft A SAE 1-3/8"
4 - Quick Coupling Female shaft A SAE 1-3/8"

Flanges: see page 28

Special versions

Gear Ratio N2 / N1					
Code - Ratio	Shaft	1	2	3	4
0 - 1		x			
1 - 1,5		x	x	x	x
2 - 2		x	x	x	x
3 - 2,5		x	x	x	x
4 - 3		x	x	x	x
5 - 3,5		x	x	x	x
6 - 3,8		x	x	x	x
blank - not available		x - Available			

SPARE PARTS LIST



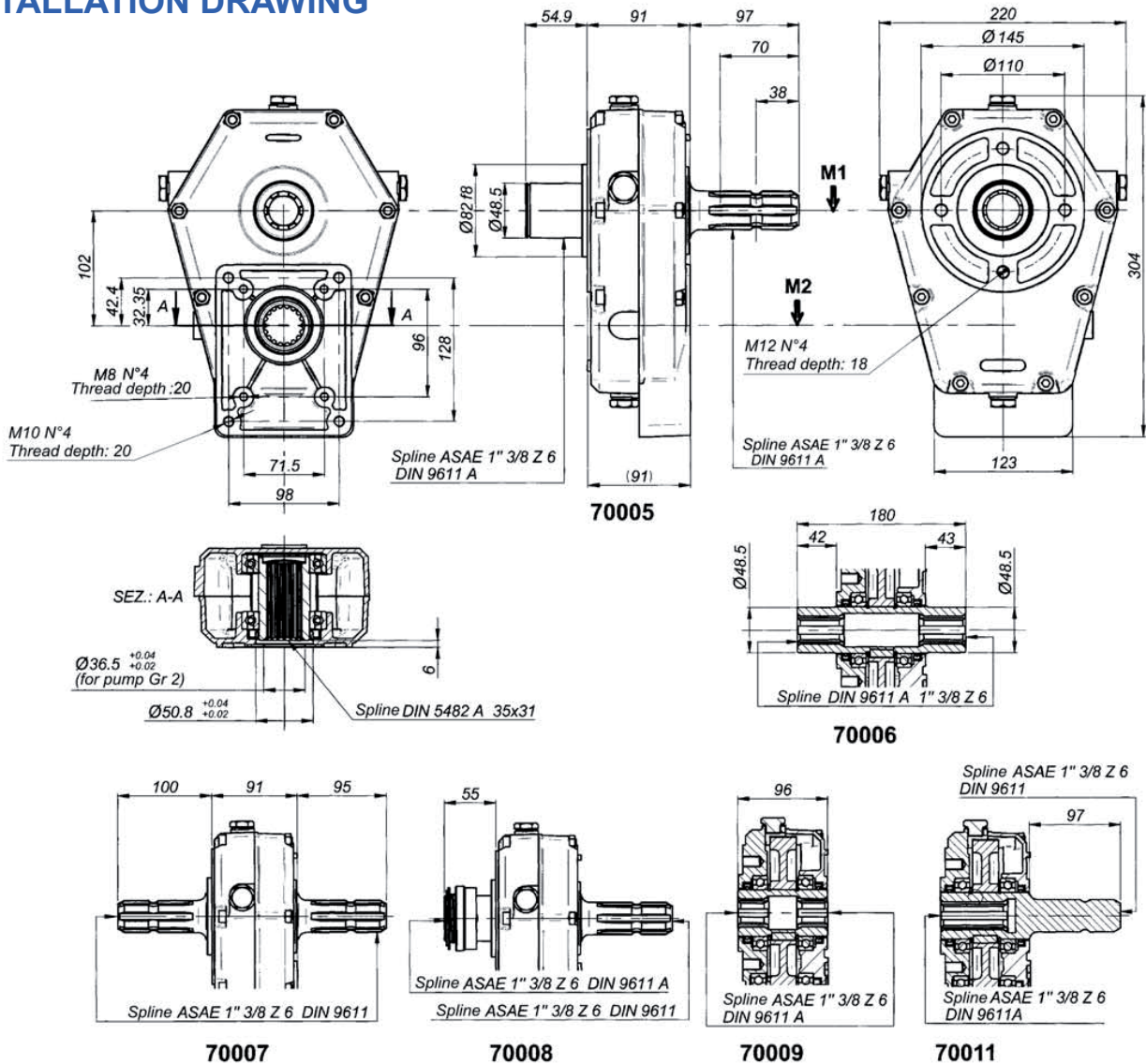
REF.	DESCRIPTION	Q.ty
1	Oil breather plug 3/8"	1
2	Gasket	2
3	Socket capscrew M8x70	8
4	Oil level plug 3/8"	1
5	Oil drain plug 3/8"	1
6	Peg	2
7	Bearing type 6009	2
8	Cap DIN 470 Ø 37	1
9	Pinion Gear	1

REF.	DESCRIPTION	Q.ty
10	Sealing ring Ø 45x65x8	1
11	Gasket	1
12	Cover	1
13	Nut M8	8
14	Ring	1
15	Snap ring dia. 50	3
16	Ring gear	1
17	Male P.T.O. shaft 1" 3/8	1
18	Bearing type 6010	2
19	Sealing ring Ø 50x65x8	1

REF.	DESCRIPTION	Q.ty
20	Female P.T.O. shaft 1" 3/8 short	1
21	Cap DIN 470 Ø 40	3
22	Female P.T.O. shaft 1" 3/8 long	1
23	Spring	1
24	Ring	1
25	Ball	3
26	Female P.T.O. quick coupling	1
27	Housing	1

Speed-up Gearboxes Series 70000 through shaft -20 kW Outlet pump flange Gr. 3

INSTALLATION DRAWING



Housing oil capacity: lt 0,350

INPUT TORQUE M 1 daNm	OUTPUT TORQUE M2 daNm	INPUT SPEED N 1 n/min.	OUTPUT SPEED N 2 n/min.	RATIO N 2 / N 1	POWER kW	MASS kg
38	26	540	810	1,5	20	9,5
43	21	540	1080	2	20	9,5
46	18	540	1408	2,5	20	9,5
49	16	540	1620	3	20	9,5
46	13	540	1836	3,5	20	9,5
43,7	11,5	540	2057	3,8	20	9,5

Speed-up Gearboxes Series 70000 through shaft-20 kW Outlet pump flange Gr. 3

ORDER CODE

7000

5

-

1

-

-

**Speed-Up Gearbox Series 70000
Through-shaft
Outlet pump flange Gr. 3**

Through shaft

5 - Male-Long Female shaft A SAE 1-3/8"
6 - Long Female-Long Female shaft A SAE 1-3/8"
7 - Male-Male shaft A SAE 1-3/8"
8 - Male-Quick Coupling shaft A SAE 1-3/8"
9 - Short Female-Short Female shaft A SAE 1-3/8"
11 - Male-Short Female shaft A SAE 1-3/8"

Flanges: see page 28

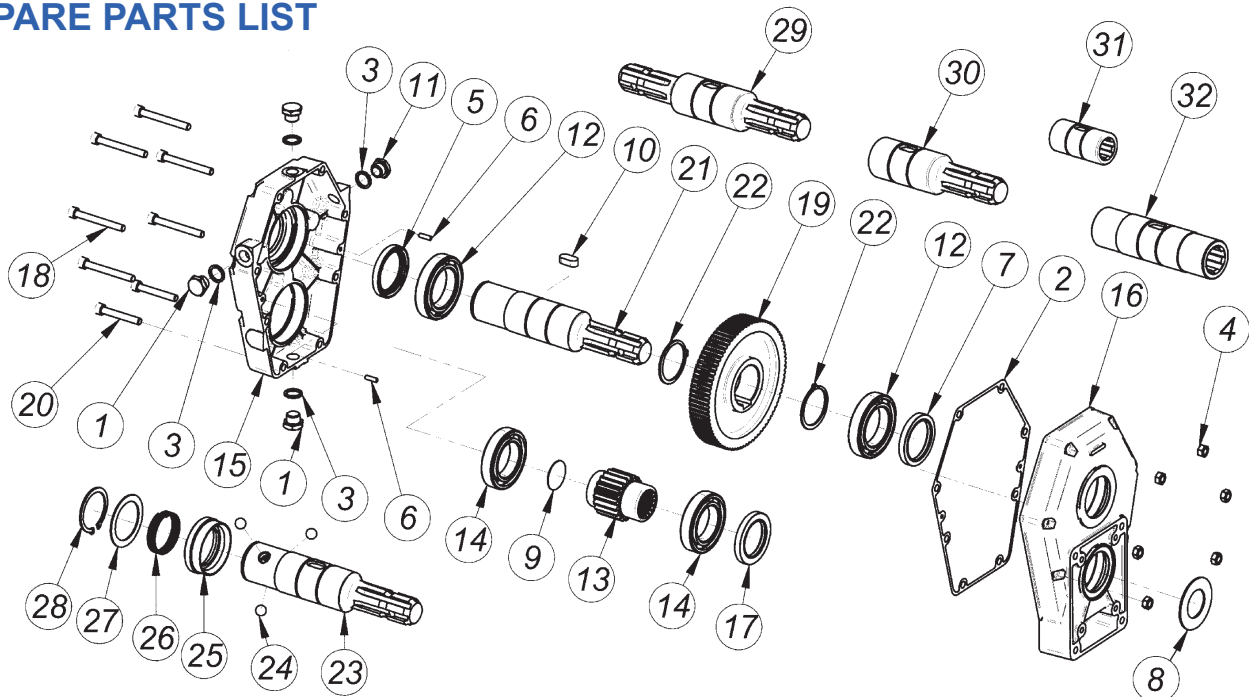
Special versions

Gear Ratio N2 / N1

Code - Ratio	Shaft	5	6	7	8	9	11
1 - 1,5		x	x	x			
2 - 2		x	x	x	x		x
3 - 2,5		x	x	x	x		
4 - 3		x	x	x	x	x	x
5 - 3,5		x	x	x	x	x	x
6 - 3,8		x	x	x	x	x	x

blank - not available x - Available

SPARE PARTS LIST



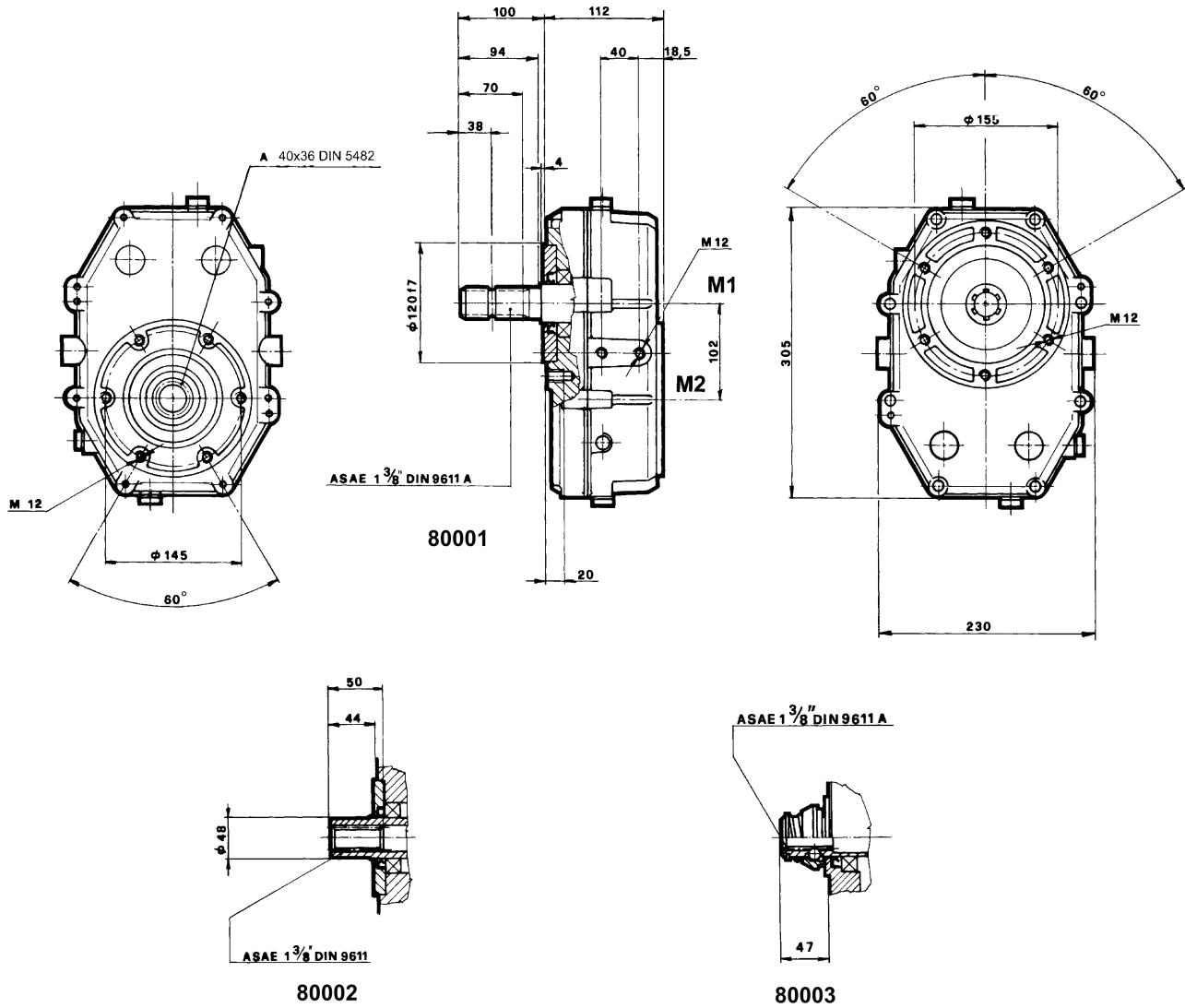
Ref.	DESCRIPTION	Q.ty
1	Oil drain plug 3/8"	3
2	Gasket	1
3	Gasket	4
4	Nut M8	6
5	Sealing ring 50x65x8	1
6	Peg UNI 8751 5x16	2
7	Sealing ring 50x65x8	1
8	Centering ring for pump group 2	1
9	Cap DIN 470 D.37	1
10	Key 12x25	1
11	Oil drain plug 3/8"	1
12	Bearing 6010	2
13	Pinion gear	1
14	Bearing 6009	2

Ref.	DESCRIPTION	Q.ty
15	Housing	1
16	Cover	1
17	Sealing ring 45x65x8	1
18	Socket capscrew M8x70	6
19	Ring gear	1
20	Socket capscrew M8x55	2
21	Female-Male P.T.O. shaft 1"3/8" Z6	1
22	Snap ring d.50	2
23	Female-Male P.T.O. - Quick coupling shaft 1" 3/8" Z6	1
24	Ball	3

Ref.	DESCRIPTION	Q.ty
25	Spring ring	1
26	Spring	1
27	Ring	1
28	Snap ring UNI 7435 - 50	1
29	Male-Male P.T.O. shaft 1"3/8" Z6	1
30	Female-Male P.T.O. shaft 1"3/8" Z6 short	1
31	Female P.T.O. shaft 1"3/8" Z6 short	1
32	Female P.T.O. shaft 1"3/8" Z6	1

Speed-up Gearboxes Series 80000-36 kW

INSTALLATION DRAWING



Housing Oil capacity: lt 1,00

INPUT TORQUE M 1 daNm	OUTPUT TORQUE M 2 daNm	INPUT SPEED N 1 n/min.	OUTPUT SPEED N 2 n/min.	RATIO N2 / N 1	POWER kW	MASS kg
46,6	46,6	540	540	1	36	13,5
48	32	540	810	1,5	36	13,5
48,4	24,2	540	1080	2	36	13,5
46,8	18	540	1408	2,5	36	13,5
48,9	16,3	540	1620	3	36	13,5
45,9	13,5	540	1836	3,5	36	13,5
47,5	12	540	2052	3,8	36	13,5
47,2	11,8	540	2160	4	36	13,5
47	9,8	540	2592	4,8	36	13,5

Speed-up Gearboxes Series 80000-36 kW

ORDER CODE

8000

1

-

1

-

-

Speed-Up Gearbox Series 80000

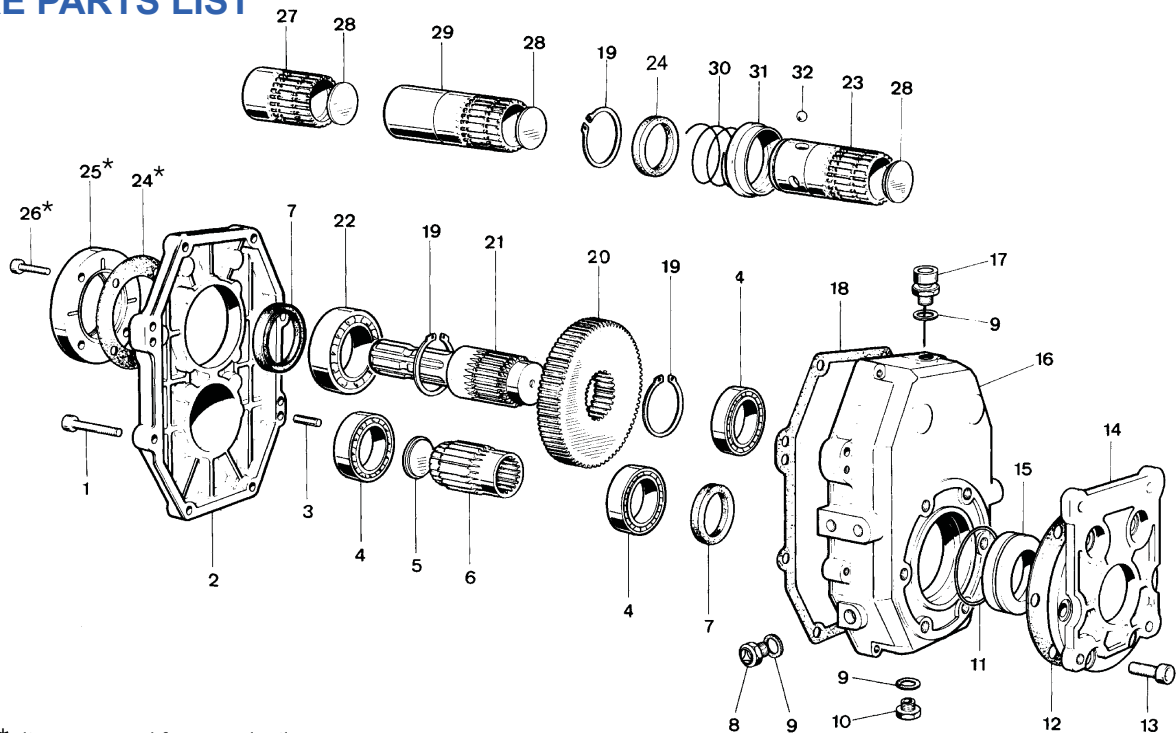
Inlet shaft
1 - Male shaft A SAE 1-3/8"
2 - Long Female shaft A SAE 1-3/8"
3 - Quick Coupling Female shaft A SAE 1-3/8"

Flanges: see page 29

Special versions

Gear Ratio N2 / N1				
Code - Ratio	Shaft	1	2	3
1 - 1		x	x	x
2 - 1,5		x	x	x
3 - 2		x	x	x
4 - 2,5		x	x	x
5 - 3		x	x	x
6 - 3,5		x	x	x
7 - 3,8		x	x	x
8 - 4		x	x	x
9 - 4,8		x	x	x
blank - not available		x - Available		

SPARE PARTS LIST



* item removed from production

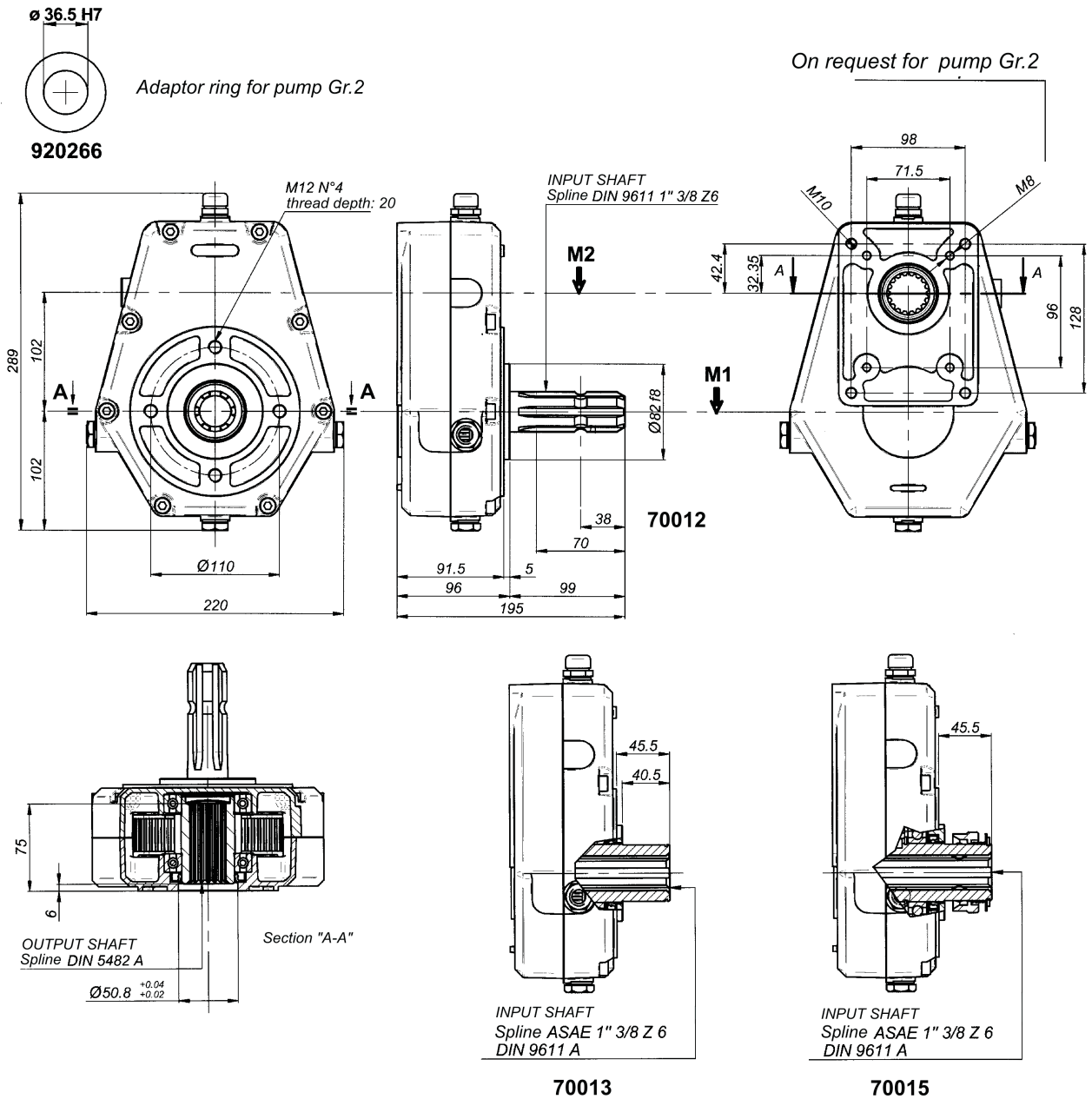
REF.	DESCRIPTION	Q.ty
1	Socket capscrew M8x40	8
2	Cover	1
3	Peg 8x30	2
4	Bearing type 6010	3
5	Cap DIN 470	1
6	Pinion Gear	1
7	Sealing ring Ø 50x65x8	2
8	Plug	1
9	Gasket	3
10	Oil drain plug	1
11	O-Ring	1

REF.	DESCRIPTION	Q.ty
12	Gasket	1
13	Socket capscrew M12x20	6
14	Flange	1
15	Corteco Ring	1
16	Housing	1
17	Oil dipstick with vent	1
18	Gasket	1
19	Snap ring	3
20	Ring gear	1
21	Male P.T.O. shaft 1" 3/8	1
22	Bearing type 6210	1

REF.	DESCRIPTION	Q.ty
23	Female P.T.O. shaft 1" 3/8	1
24 *	Gasket	1
25 *	Cap	1
26 *	Socket capscrew M6x20	4
27	Female P.T.O. shaft 1" 3/8 short	1
28	Cap	3
29	Female P.T.O. shaft 1" 3/8 long	1
30	Spring	1
31	Spring ring	1
32	Ball	3
33	Ring	1

Speed-up Gearboxes Series 70012 - Cast iron housing - 37 kW Outlet pump flange Gr.3

INSTALLATION DRAWING



Housing oil capacity: lt 0,520

INPUT TORQUE M 1 daNm	OUTPUT TORQUE M 2 daNm	INPUT SPEED N 1 n/min.	OUTPUT SPEED N 2 n/min.	RATIO N 2 / N 1	POWER kW	MASS kg
66	66	540	540	1	37	14.5
66	44	540	810	1.5	37	14.5
66	33	540	1080	2	37	14.5
66	26.4	540	1408	2.5	37	14.5
66	22	540	1620	3	37	14.5
66	18	540	1836	3.5	35	14.5
66	16.6	540	2057	3.8	35	14.5

Speed-up Gearboxes Series 70012 - Cast iron housing - 37 kW Outlet pump flange Gr. 3

ORDER CODE

700 12 - 1 - [] - []

Flanges: see page 28

Speed-Up Gearbox Series 70012
Outlet pump flange Gr. 3
Cast Iron Housing

Special versions

Gear Ratio N2 / N1

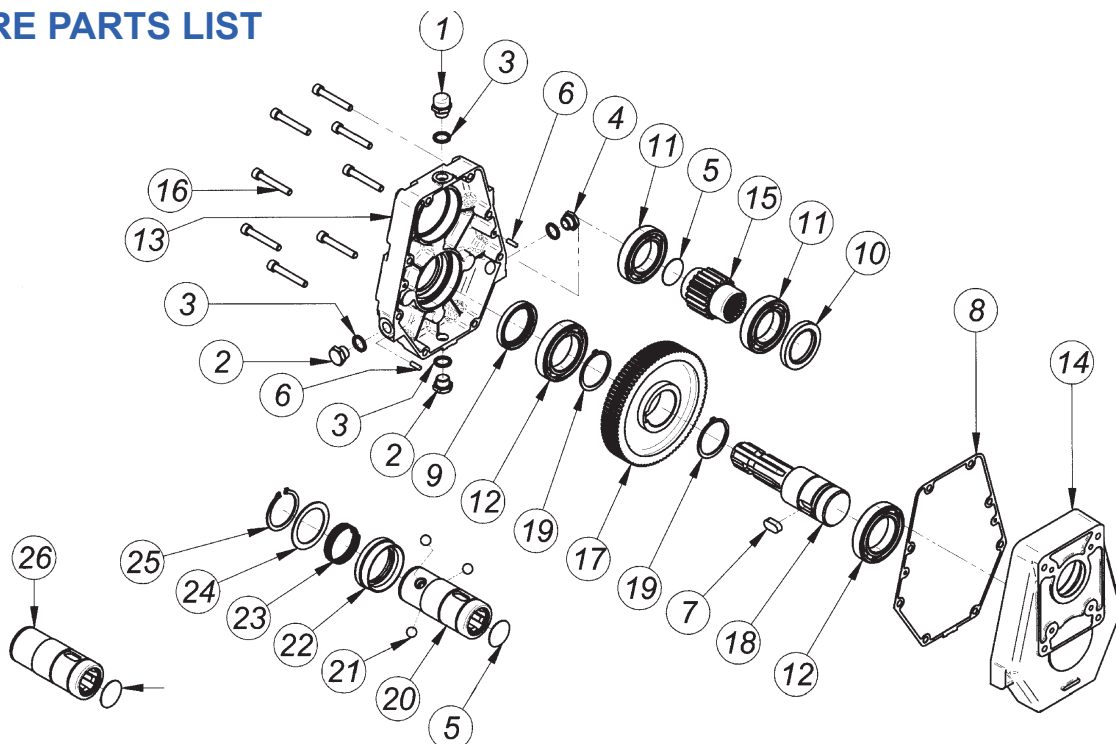
Code - Ratio	Shaft	12	13	15
0 - 1		x		
1 - 1,5		x	x	x
2 - 2		x	x	x
3 - 2,5		x	x	x
4 - 3		x	x	x
5 - 3,5		x	x	x
6 - 3,8		x	x	x

blank - not available x - Available

Inlet shaft

12 - Male shaft A SAE 1-3/8"
13 - Female shaft A SAE 1-3/8"
15 - Quick Coupling Female shaft A SAE 1-3/8"

SPARE PARTS LIST



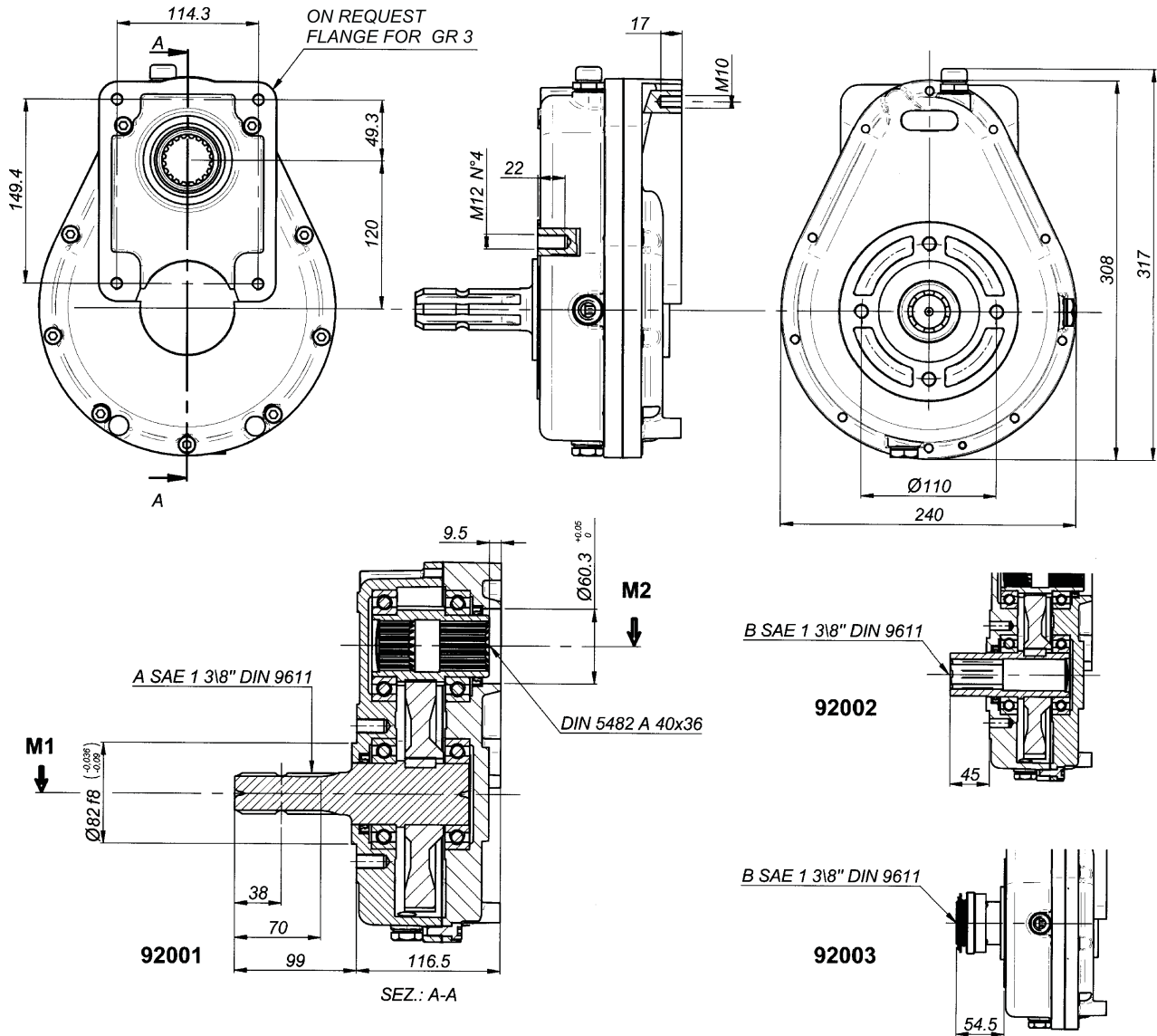
REF.	DESCRIPTION	Q.ty
1	Oil breather plug 3/8"	1
2	Oil drain plug 3/8"	2
3	Gasket	4
4	Oil drain plug 3/8"	1
5	Cap DIN 470 D.37	1
6	Peg UNI 8735 5x20	2
7	Key 12x25	1
8	Gasket	1
9	Sealing ring 50x65x8	1
10	Sealing ring 45x65x8	1

REF.	DESCRIPTION	Q.ty
11	Bearing 6009	2
12	Bearing 6010	2
13	Housing cast iron	1
14	Cover	1
15	Pinion gear	1
16	Socket capscrew M8x55	8
17	Ring gear	1
18	Male P.T.O. shaft 1"3/8 Z6	1

REF.	DESCRIPTION	Q.ty
19	Snap ring d.50	2
20	Female P.T.O. shaft 1"3/8" Z6, Quick coupling	1
21	Ball	3
22	Spring ring	1
23	Spring	1
24	Ring	1
25	Snap ring UNI 7435 - 50	1
26	Female P.T.O. shaft 1"3/8" Z6 long	1

Speed-up Gearboxes Series 92000 (MTL 3,5) - Cast iron housing - 40 kW Outlet pump flange Gr. 3,5

INSTALLATION DRAWING

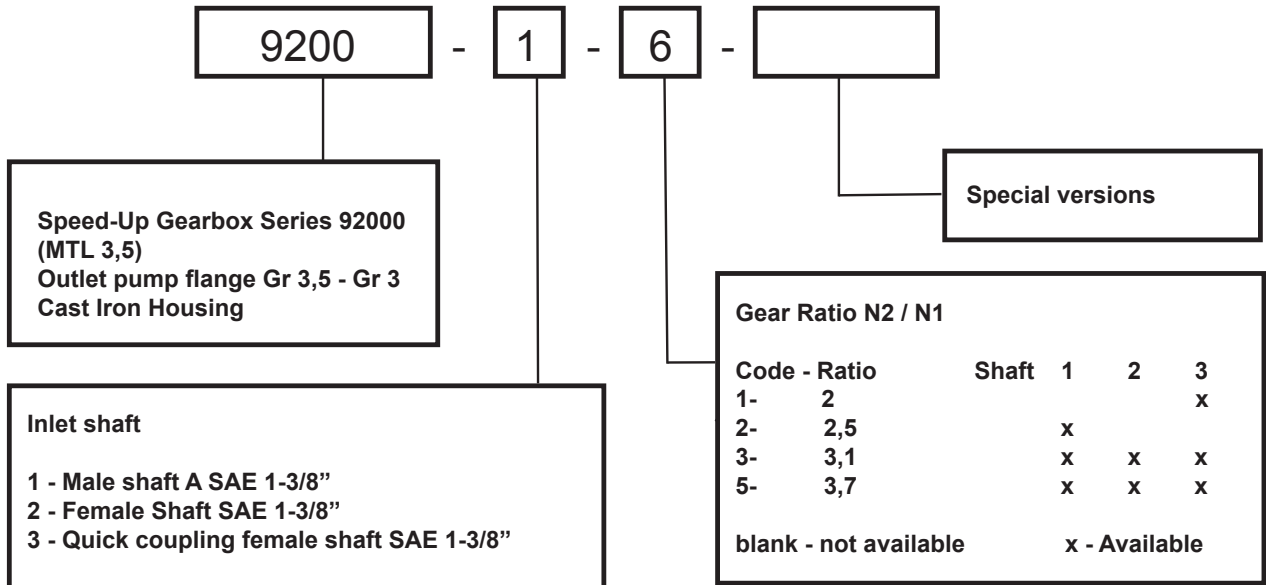


Housing oil capacity: lt. 0,600

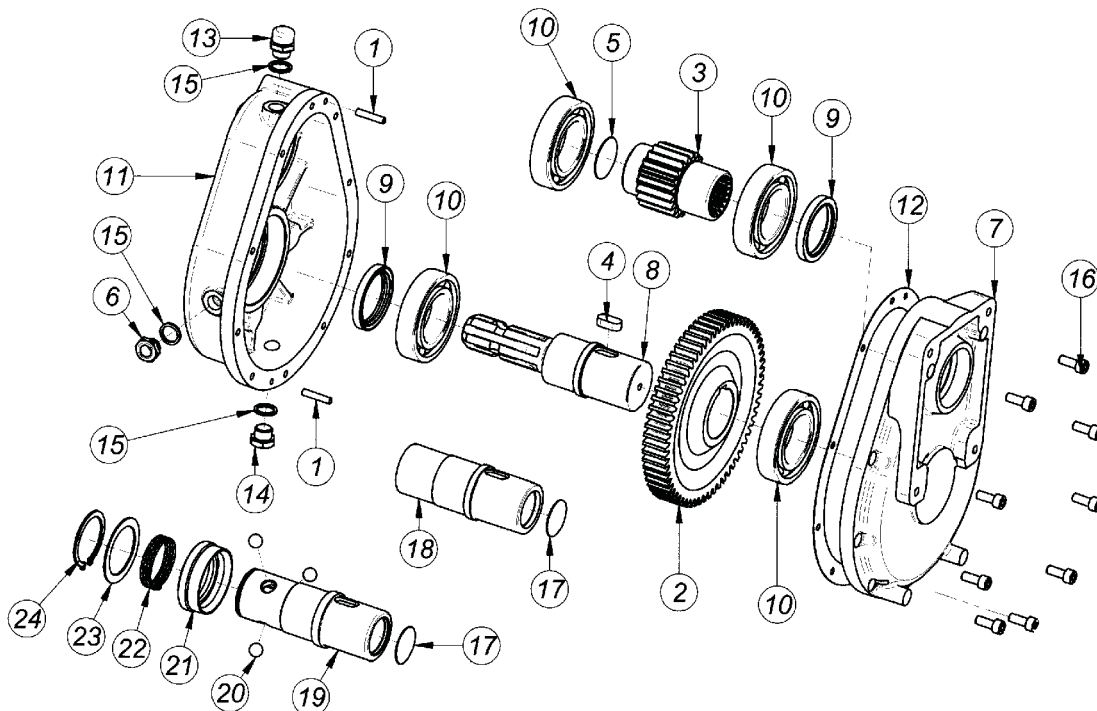
INPUT TORQUE M1 daNm	OUTPUT TORQUE M2 daNm	INPUT SPEED N1 n/min.	OUTPUT SPEED N2 n/min.	RATIO N2 / N1	POWER kW	MASS kg
80	40	540	1080	2	40	16
88	35	540	1350	2.5	40	16
99	32	540	1674	3.1	40	16
105	28	540	1998	3.7	40	16

Speed-up Gearboxes Series 92000 (MTL 3,5) - Cast iron housing - 40 kW Outlet pump flange Gr. 3,5

ORDER CODE



SPARE PARTS LIST



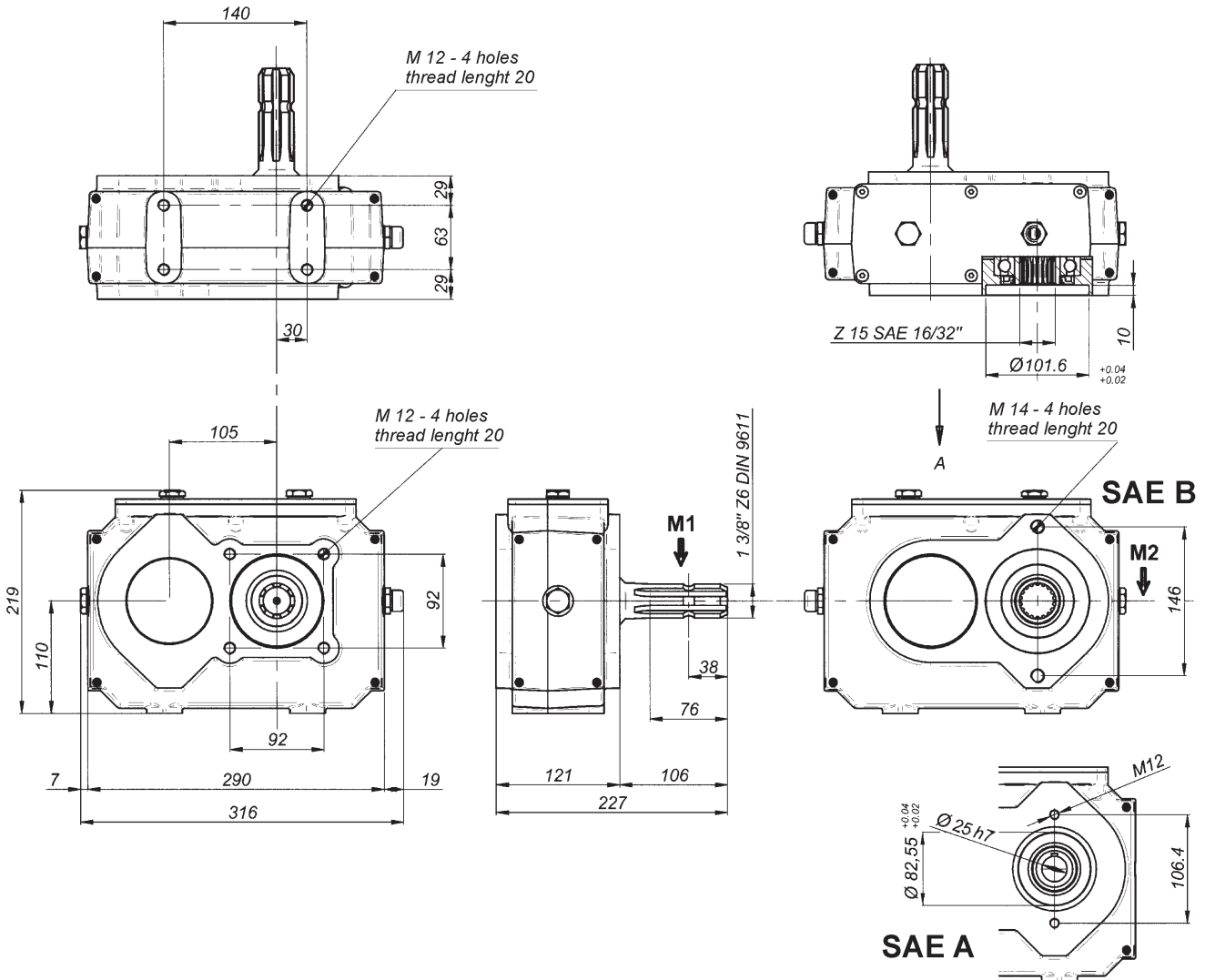
REF.	DESCRIPTION	Q.ty
1	Peg d.6	2
2	Ring gear	1
3	Pinion gear	1
4	Key 12x25	1
5	Cap DIN 470 D.42	1
6	Oil drain plug 3/8"	1
7	Cover	1
8	Male P.T.O. shaft 1" 3/8	1

REF.	DESCRIPTION	Q.ty
9	Sealing ring 50x65x8	2
10	Bearing 6210	4
11	Housing	1
12	Gasket	1
13	Oil breather plug 3/8"	1
14	Oil drain plug 3/8"	1
15	Gasket	3
16	Socket capscREW M8x20	9
17	Cap DIN 470 D.37	1

REF.	DESCRIPTION	Q.ty
18	Female P.T.O. shaft 1" 3/8	1
19	Female P.T.O. shaft 1"3/8" Z6, Quick coupling	1
20	Ball	3
21	Spring ring	1
22	Spring	1
23	Ring	1
24	Snap ring UNI 7435 - 50	1

Speed-up Gearboxes Series 97601 - Cast iron housing - 68 kW Outlet pump flange SAE A - SAE B

INSTALLATION DRAWING

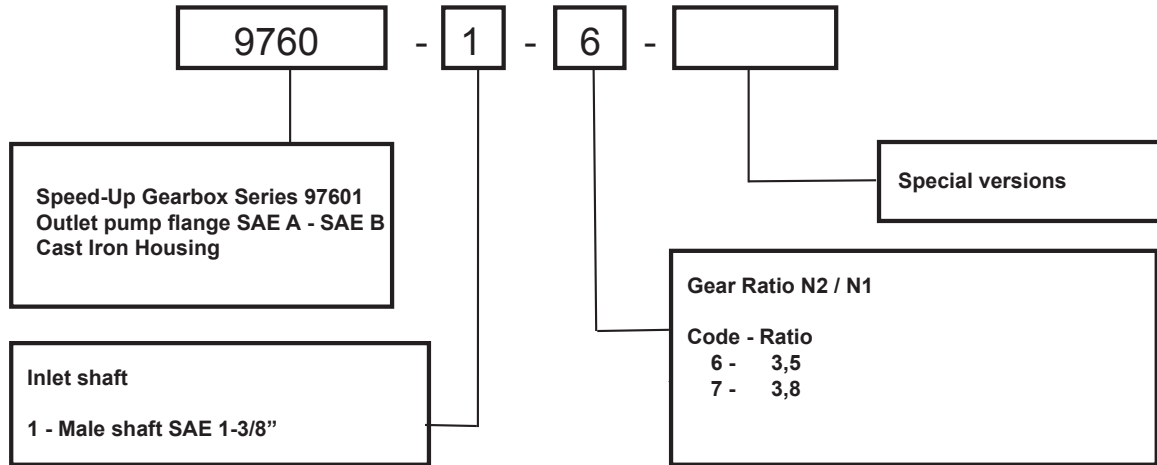


Housing oil capacity: lt. 1,50

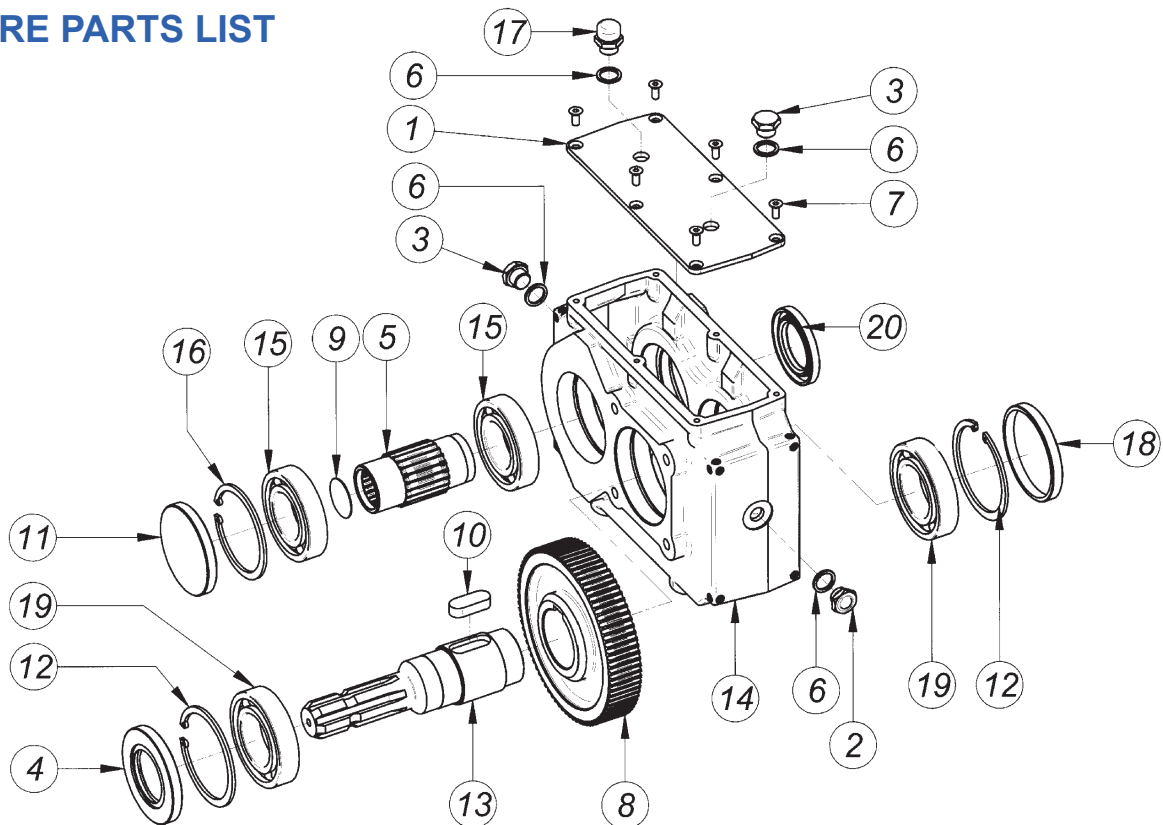
INPUT TORQUE M 1 daNm	OUTPUT TORQUE M 2 daNm	INPUT SPEED N 1 n/min.	OUTPUT SPEED N 2 n/min.	RATIO N 2 / N 1	POWER kW	MASS kg
112.5	35	200	680	3.5	68	16
110.2	29	200	760	3.8	68	16

Speed-up Gearboxes Series 97601 - Cast iron housing - 68 kW Outlet pump flange SAE A - SAE B

ORDER CODE



SPARE PARTS LIST



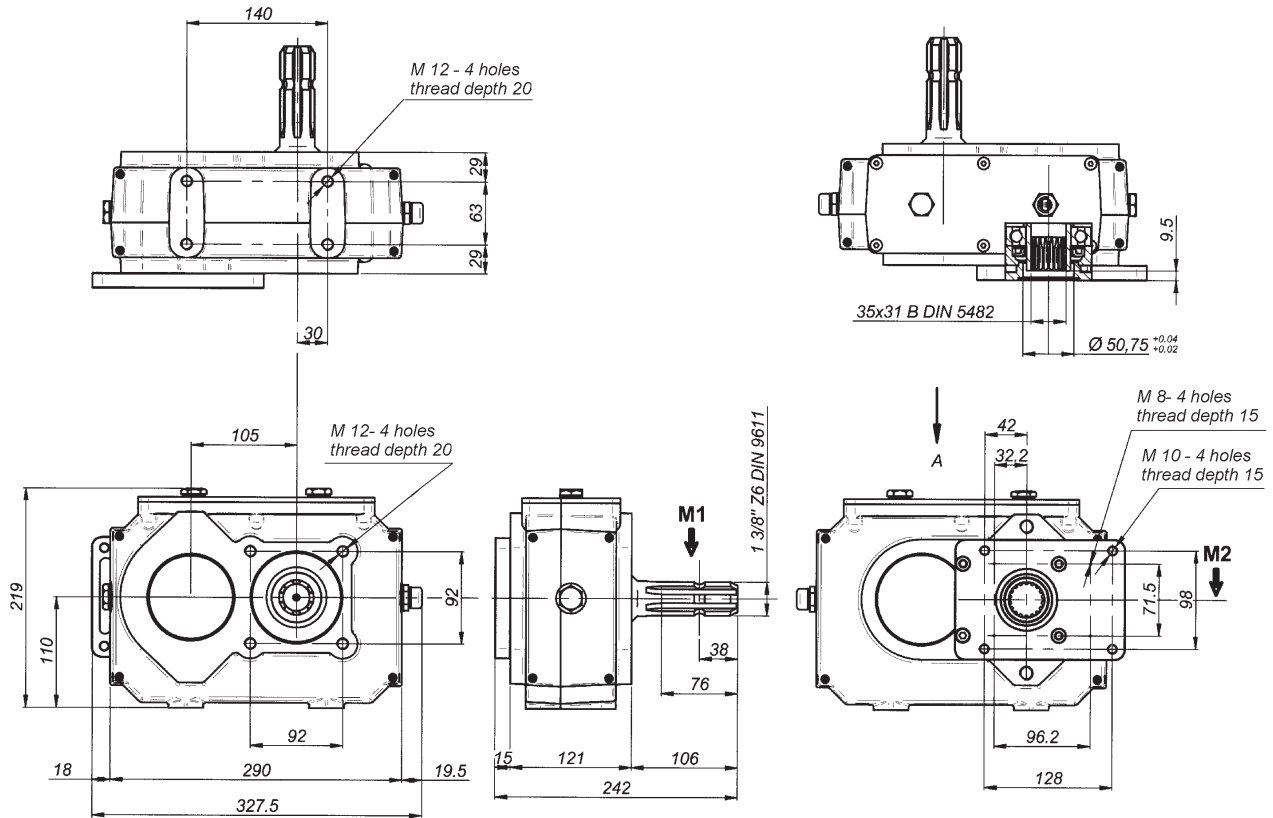
REF.	DESCRIPTION	Q.ty
1	Cover	1
2	Oil drain plug 3/8"	1
3	Oil drain plug 3/8"	2
4	Sealing ring 50x90x10	1
5	Pinion gear	1
6	Gasket	4
7	Socket UNI 5933 M6x15	6

REF.	DESCRIPTION	Q.ty
8	Ring gear	1
9	Cap DIN 470 D.37	1
10	Key UNI 6604 12x8x40	1
11	Plug 85x10	1
12	Snap ring UNI 7434 - 90	2
13	Male P.T.O. shaft 1 3/8"	1

REF.	DESCRIPTION	Q.ty
14	Housing	1
15	Bearing 6209 (45-85-19)	2
16	Seeger UNI 7434 - 85	1
17	Oil breather plug 3/8"	1
18	Plug 90x10	1
19	Bearing 6210	2
20	Sealing ring 45x72x8	1

Speed-up Gearboxes Series 97701- Cast iron housing - 68 kW Outlet pump flange Gr. 2 - Gr. 3

INSTALLATION DRAWING

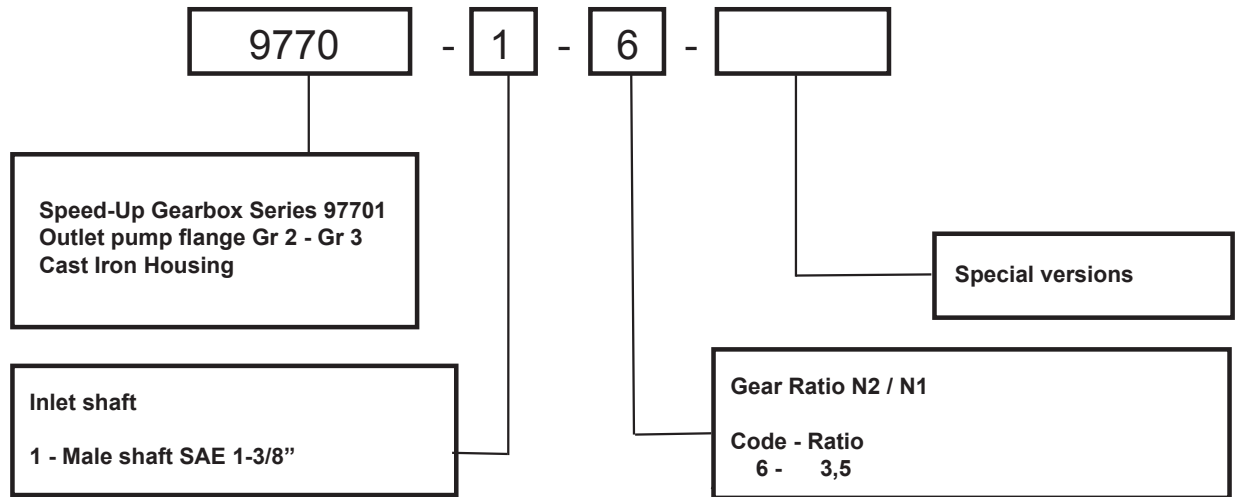


Housing oil capacity: lt. 1,50

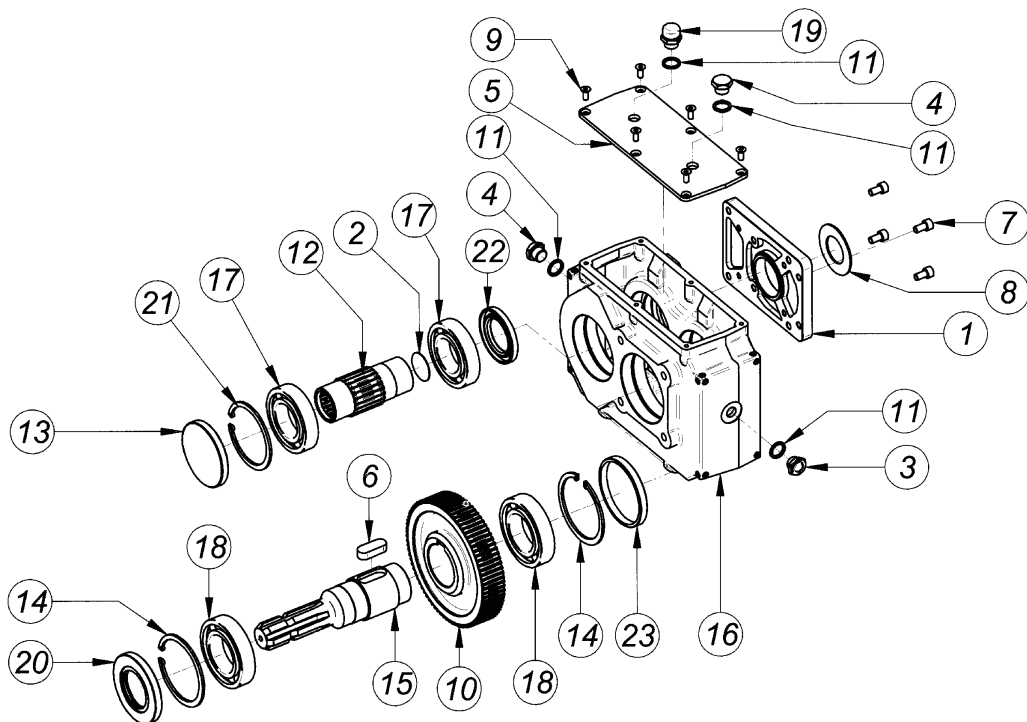
INPUT TORQUE M 1 daNm	OUTPUT TORQUE M 2 daNm	INPUT SPEED N 1 n/min.	OUTPUT SPEED N 2 n/min.	RATIO N 2 / N 1	POWER kW	MASS kg
112.5	35	200	680	3.5	68	16

Speed-up Gearboxes Series 97701 - Cast iron housing - 68 kW Outlet pump flange Gr. 2 - Gr. 3

ORDER CODE



SPARE PARTS LIST



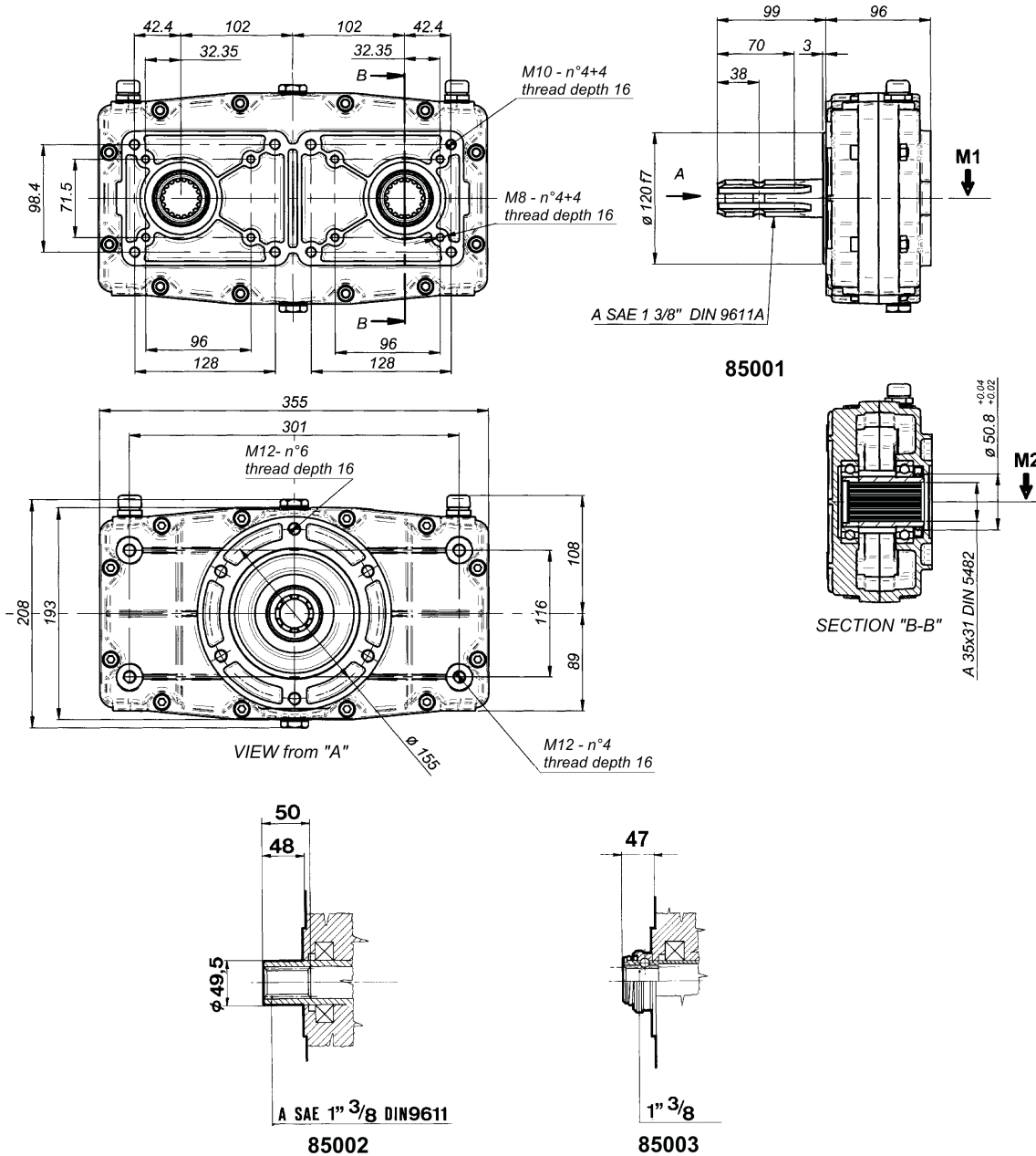
REF.	DESCRIPTION	Q.ty
1	Flange for pump group 2 and 3	1
2	Cap DIN 470 D.37	1
3	Oil drain plug 3/8"	1
4	Oil drain plug 3/8"	2
5	Cover	1
6	Key UNI 6604 12x8x40	1
7	Socket capscrew M8x15	4
8	Centering ring for pump group 2	1

REF.	DESCRIPTION	Q.ty
9	Socket UNI 5933 M6x15	6
10	Ring gear	1
11	Gasket	4
12	Pinion gear	1
13	Plug 85x10	1
14	Snap ring UNI 7434 - 90	2
15	Male P.T.O. shaft 1 3/8"	1

REF.	DESCRIPTION	Q.ty
16	Housing	1
17	Bearing 6209 (45-85-19)	2
18	Bearing 6210	2
19	Oil breather plug 3/8"	1
20	Sealing ring 50x90x10	1
21	Seeger UNI 7434 - 85	1
22	Sealing ring 45x72x8	1
23	Plug 90x10	1

Splitter Gearboxes Series 85000 - 35 kW Outlet pump flange Gr. 2 - 3

INSTALLATION DRAWING

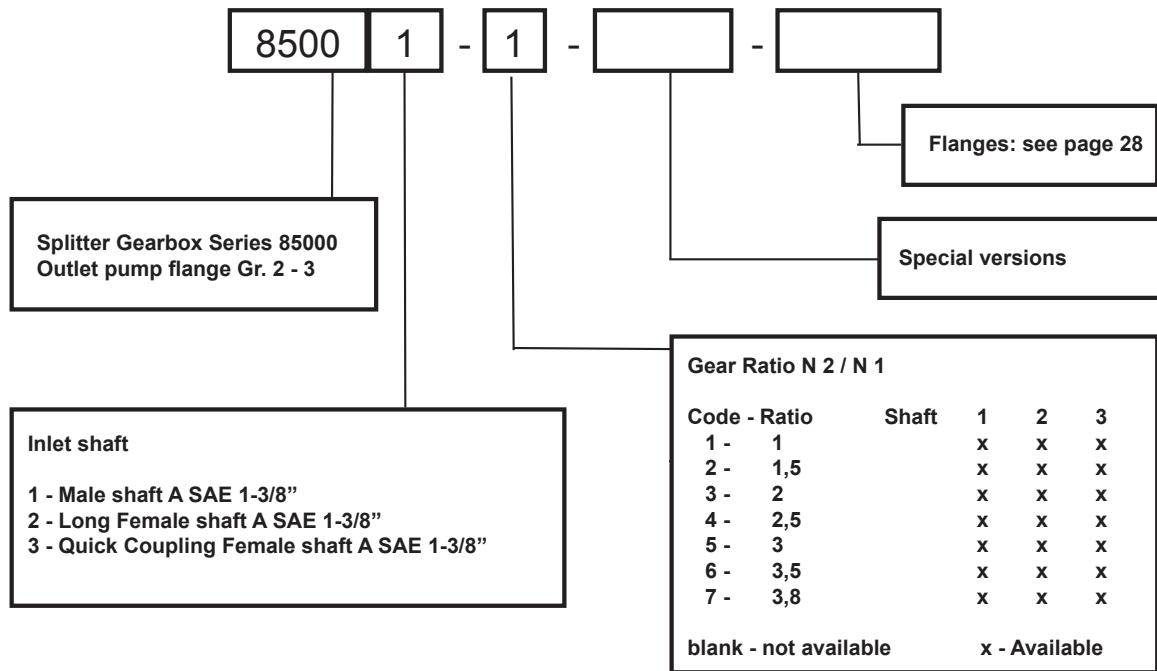


Housing oil capacity: lt 1,30

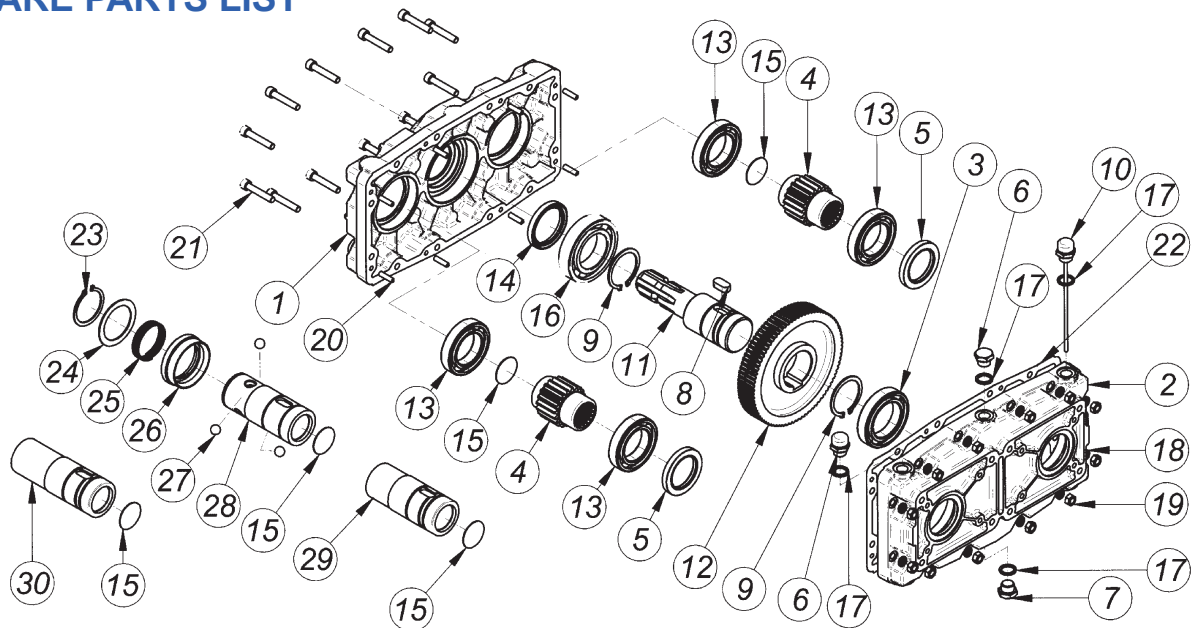
INPUT TORQUE M 1 daNm	OUTPUT TORQUE M 2 daNm	INPUT SPEED N 1 n/min.	OUTPUT SPEED N 2 n/min.	RATIO N2 / N1	POWER kW	MASS kg
63,4	31,7	540	540	1	35	14
76,8	25,6	540	810	1,5	35	14
86,8	23,7	540	1080	2	35	14
92,5	17,8	540	1408	2,5	35	14
96,6	16,1	540	1620	3	35	14
90,4	13,3	540	1836	3,5	35	14
87,4	16,6	540	2057	3,8	35	14

Splitter Gearboxes Series 85000 - 35 kW Outlet pump flange Gr. 2 - 3

ORDER CODE



SPARE PARTS LIST



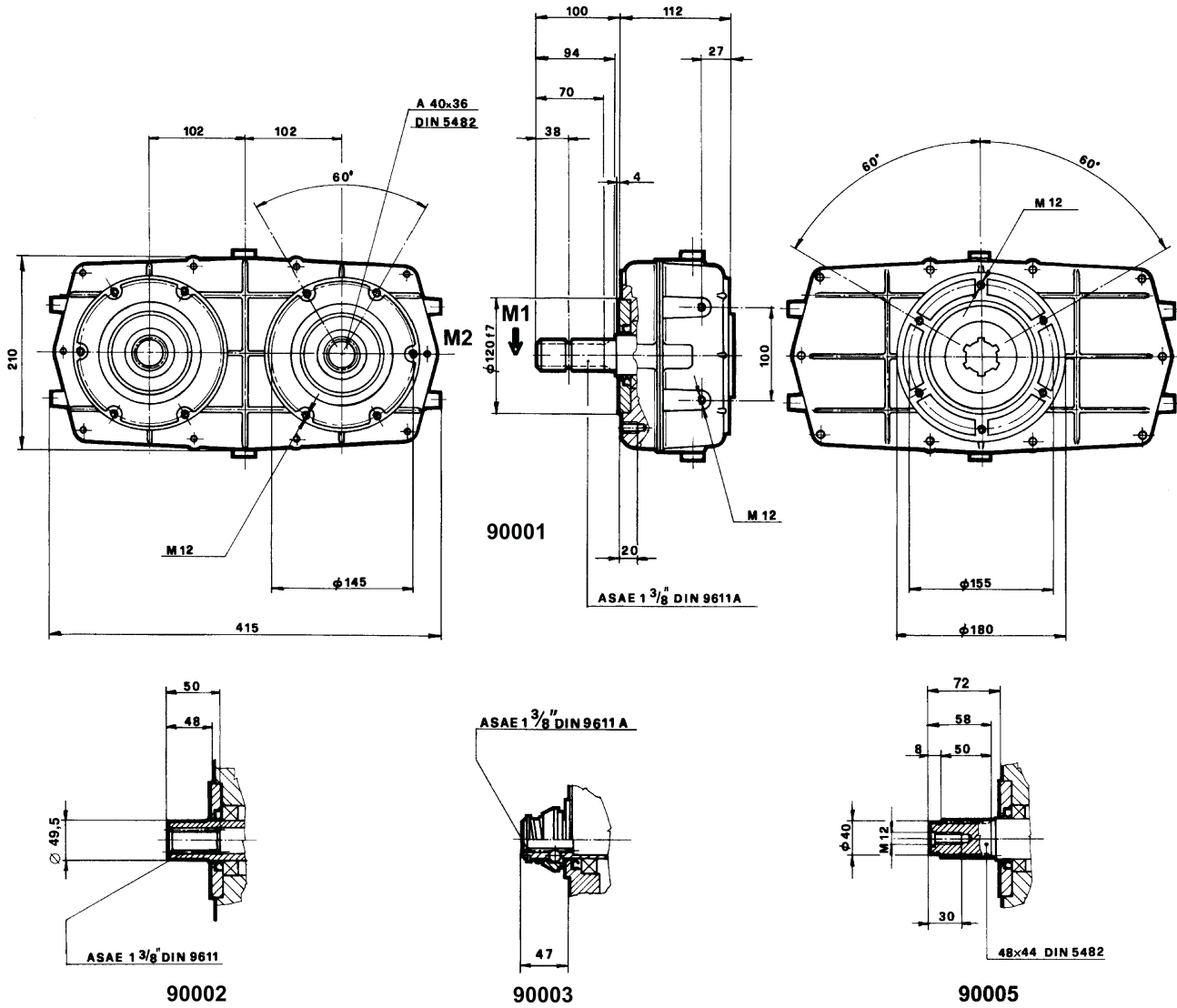
Ref.	DESCRIPTION	Q.ty
1	Housing	1
2	Cover	1
3	Bearing 6010	1
4	Pinion gear	2
5	Sealing ring 45x65x8	2
6	Oil plug 3/8"	2
7	Oil drain plug 3/8"	1
8	Key 12x25	1
9	Snap ring UNI 7435 - 50	2
10	Oil dipstick with vent	1

Ref.	DESCRIPTION	Q.ty
11	Male P.T.O. shaft 1"3/8 Z6	1
12	Ring gear	1
13	Bearing 6009	4
14	Sealing ring 50x65x8	1
15	Cap DIN 470 D.38	5
16	Bearing 6210	1
17	Gasket	4
18	Washer Grower d.8	12
19	Nut M8	12
20	Peg UNI 8751 6x24	8

Ref.	DESCRIPTION	Q.ty
21	Socket capscrew M8x45	12
22	Gasket	1
23	Snap ring UNI 7435-48	1
24	Ring	1
25	Spring	1
26	Spring ring	1
27	Ball	3
28	Female P.T.O. shaft - 1"3/8" Z6 quick coupling	1
29	Female-Female P.T.O. shaft short 1" 3/8	1
30	Female-Female P.T.O. shaft long 1" 3/8	1

Splitter Gearboxes Series 90000 - 45 kW Outlet pump flange Gr. 3 - 3,5

INSTALLATION DRAWING



Housing oil capacity: lt.1,80

INPUT TORQUE M 1 daNm	OUTPUT TORQUE M 2 daNm	INPUT SPEED N 1 n/min.	OUTPUT SPEED N 2 n/min.	RATIO N 2 / N 1	POWER kW	MASS kg
93,4	46,6	540	540	1	45	18
96	32	540	810	1,5	45	18
96,8	24,2	540	1080	2	45	18
93,6	18	540	1408	2,5	45	18
97,8	16,3	540	1620	3	42	18
91,8	13,1	540	1836	3,5	45	18
95	12	540	2052	3,8	45	18
94,40	11,8	540	2160	4	45	18
94	9,8	540	2592	4,8	45	18

Splitter Gearboxes Series 90000 - 45 kW Outlet pump flange Gr. 3 - 3,5

ORDER CODE

9000 1 - 1 - [] - []

Flanges: see page 29

Splitter Gearbox Series 90000
Outlet pump flange Gr. 3 - 3,5

Inlet shaft

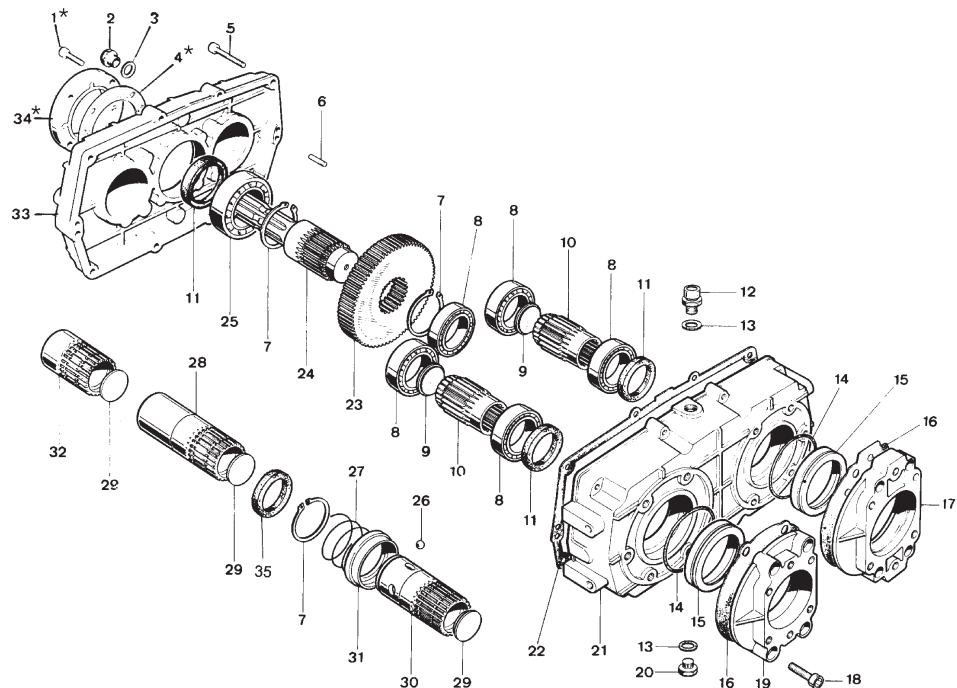
1 - Male shaft SAE 1-3/8"
2 - Long Female shaft SAE 1-3/8"
3 - Quick Coupling Female shaft SAE 1-3/8"
5 - Male shaft DIN 5282

Gear Ratio N 2 / N 1

Code - Ratio	Shaft	1	2	3	5
1 - 1		x	x	x	x
2 - 1,5		x	x	x	x
3 - 2		x	x	x	x
4 - 2,5		x	x	x	x
5 - 3		x	x	x	x
6 - 3,5		x	x	x	x
7 - 3,8		x	x	x	x
8 - 4		x	x	x	x
9 - 4,8		x	x	x	x

blank - not available x - Available

SPARE PARTS LIST



REF.	DESCRIPTION	Q.ty
1*	Socket capscrew M6x20	4
2	Oil level plug	1
3	Gasket	1
4*	Gasket	1
5	Socket capscrew	10
6	Peg Ø 6	2
7	Snap ring Ø 58	3
8	Bearing type 6010	5
9	Cap DIN 470	2
10	Pinion Gear	2
11	Sealing ring Ø	3

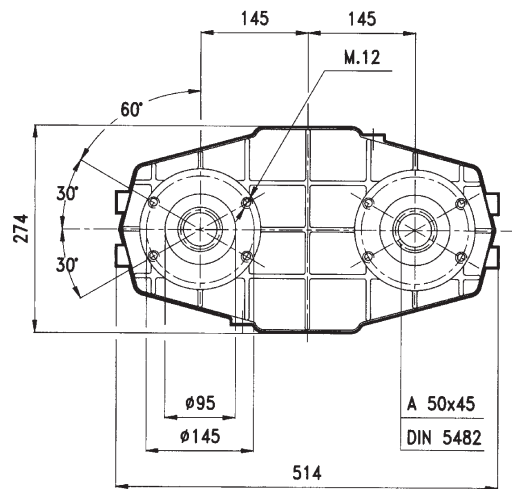
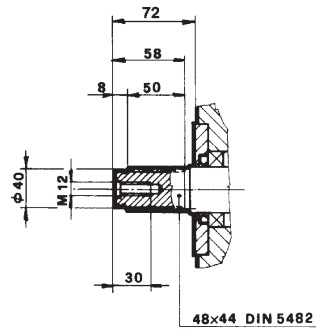
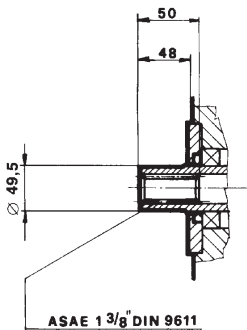
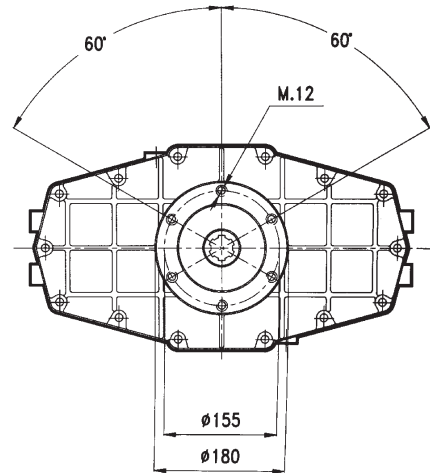
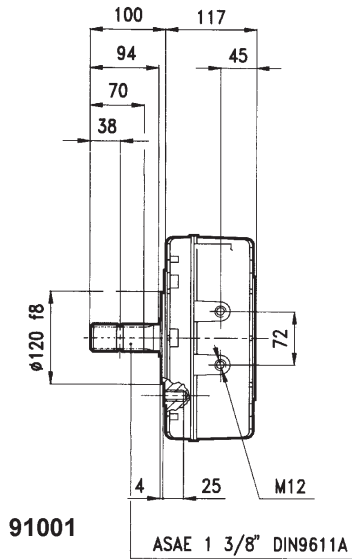
* Item removed from production

REF.	DESCRIPTION	Q.ty
12	Oil dipstick with vent	1
13	Gasket	3
14	O-Ring	2
15	Corteco Ring	2
16	Gasket	2
17	Flange SAE B	1
18	Socket capscrew	6
19	Flange SAE A	1
20	Oil drain plug 3/8"	1
21	Housing	1
22	Gasket	1
23	Ring gear	1

REF.	DESCRIPTION	Q.ty
24	Male P.T.O. shaft 1" 3/8	1
25	Bearing type 6210	1
26	Ball	3
27	Spring	1
28	Female P.T.O. shaft 1" 3/8 long	1
29	Cap DIN 470	3
30	Female P.T.O. shaft - quick coupling 1-3/8"	1
31	Spring ring	1
32	Female P.T.O. shaft 1" 3/8 short	1
33	Cover	1
34*	Cap	1
35	Ring	1

Splitter Gearboxes Series 91000 - 74 kW Outlet pump flange Gr. 4

INSTALLATION DRAWING



Housing oil capacity: lt. 2,00

INPUT TORQUE M 1 daNm	OUTPUT TORQUE M 2 daNm	INPUT SPEED N 1 n/min.	OUTPUT SPEED N 2 n/min.	RATIO N 2 / N 1	POWER kW	MASS kg
132	66	540	540	1	74	20
158	52	540	810	1.5	74	20
163	39	540	1080	2	74	20
174	31	540	1350	2.5	74	20
177	27	540	1620	3	74	20
170	23	540	1836	3.5	74	20
158	20	540	2030	3.8	74	20

Splitter Gearboxes Series 91000 - 74 kW Outlet pump flange Gr. 4

ORDER CODE

9100

1

-

1

-

-

Flanges: see page 29

Special versions

**Splitter Gearbox Series 91000
Outlet pump flange Gr. 4**

Inlet shaft

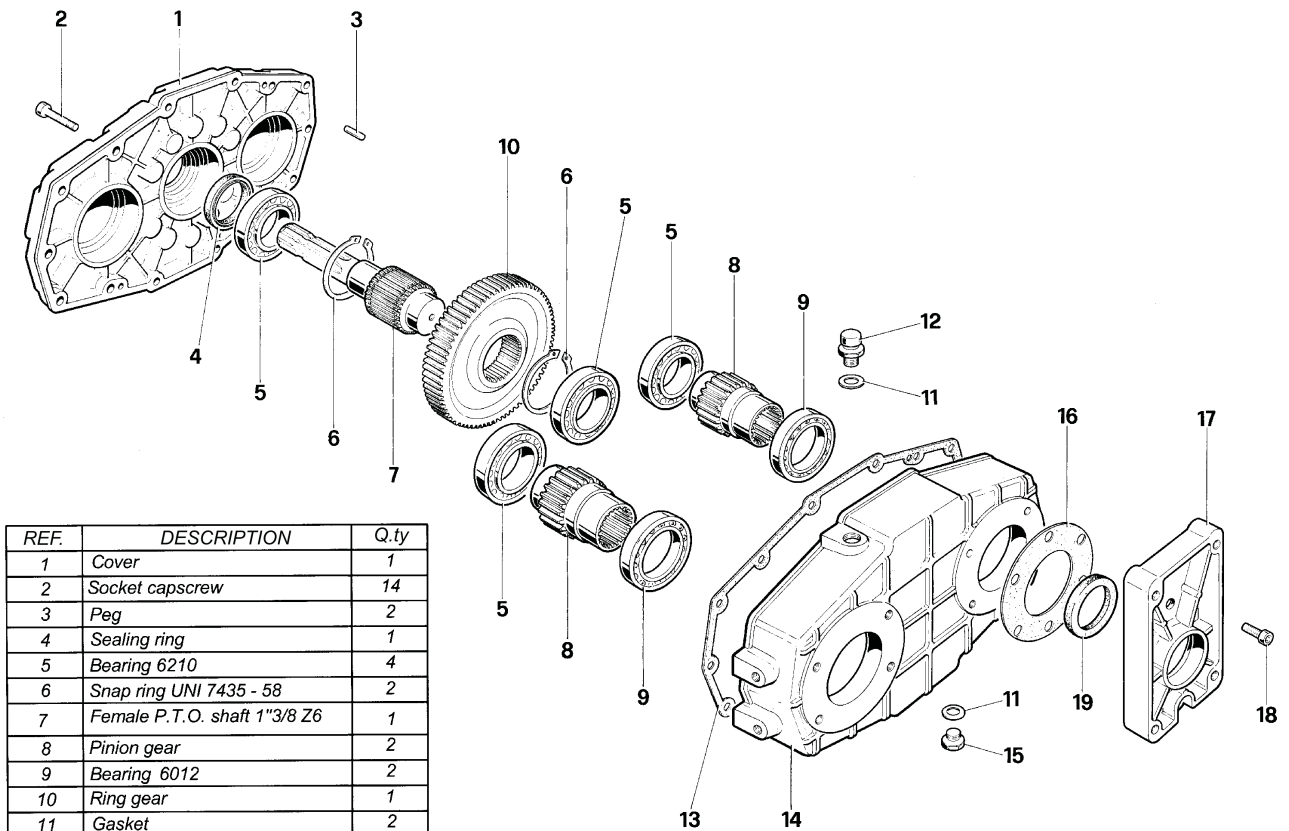
1 - Male shaft SAE 1-3/8"
2 - Long Female shaft SAE 1-3/8"
3 - Male shaft DIN 5482

Gear Ratio N 2 / N 1

Code - Ratio	Shaft	1	2	3
1 - 1		x	x	x
2 - 1,5		x	x	x
3 - 2		x	x	x
4 - 2,5		x	x	x
5 - 3		x	x	x
6 - 3,5		x	x	x
7 - 3,8		x	x	x
blank - not available		x	-	-

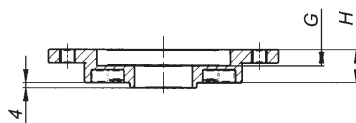
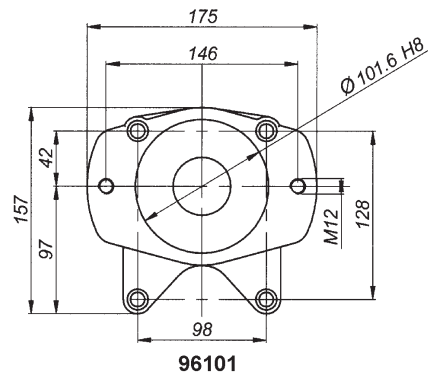
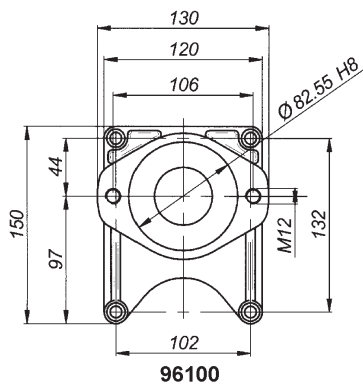
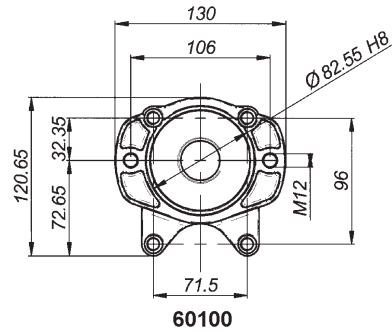
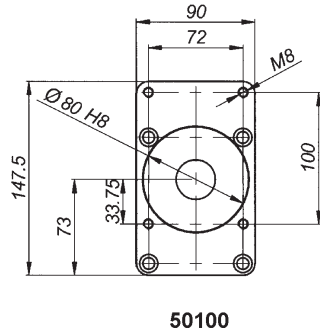
x - Available

SPARE PARTS LIST



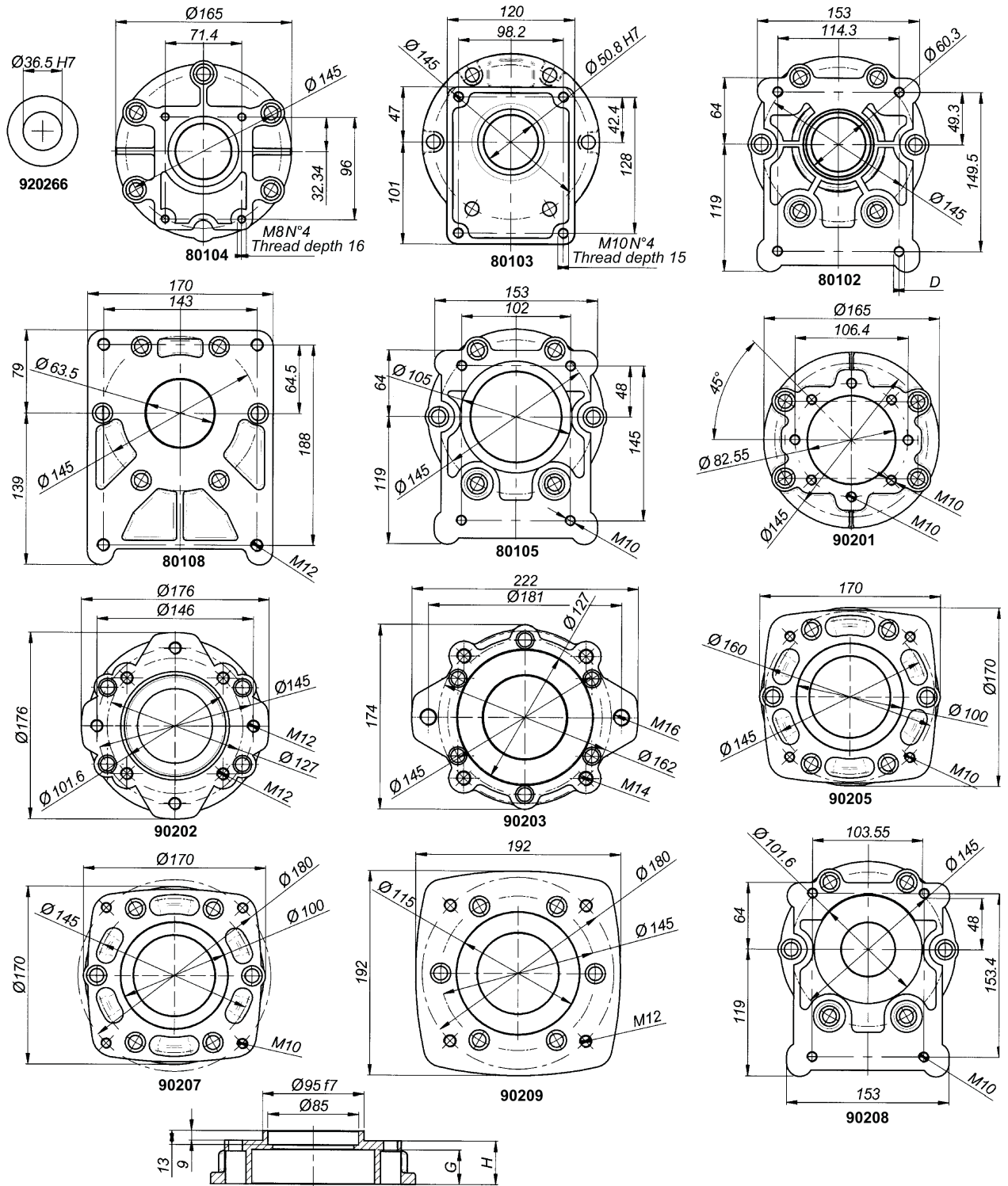
REF.	DESCRIPTION	Q.ty
1	Cover	1
2	Socket capscrew	14
3	Peg	2
4	Sealing ring	1
5	Bearing 6210	4
6	Snap ring UNI 7435 - 58	2
7	Female P.T.O. shaft 1"3/8 Z6	1
8	Pinion gear	2
9	Bearing 6012	2
10	Ring gear	1
11	Gasket	2
12	Oil breather plug 3/8", with level oil dip stick	1
13	Gasket	1
14	Housing	1
15	Oil drain plug 3/8"	1
16	Gasket	1
17	Flange	1
18	Socket capscrew	4
19	Sealing ring	1

FLANGES for SPEED-UP and SPLITTER GEARBOXES Series 60000 - 70000 - 70012 - 85000



Code	FLANGE TYPE			
	Gr.2 BOSCH	SAE A Gr.2	SAE A Gr.3	SAE B Gr.3
Code	50100	60100	96100	96101
G	8	12	10	12
H	13	32	16	24

FLANGES for SPEED-UP and SPLITTER GEARBOXES Series 80000 - 90000 - 91000



Code.	FLANGE TYPE											
	Gr.2	Gr.3	Gr.3.5	Gr.4	Gr.3 Bosch	SAE A	SAE B	SAE C	L.G. 20-35	L.G.50	L.G.75	ULTRA 3PL.DOWTY
	80104	80103	80102	80108	80105	90201	90202	90203	90205	90207	90209	90208
G	21	22	24,5	36	12	25	12	15	20,5	33	57	10
H	21	22	24,5	36	24	25	25	28	26,5	43	72	24

As HANSA-TMP has a very extensive range of products and some products have a variety of applications, the information supplied may often only apply to specific situations.

If the catalogue does not supply all the information required, please contact HANSA-TMP.

In order to provide a comprehensive reply to queries we may require specific data regarding the proposed application.

Whilst every reasonable endeavour has been made to ensure accuracy, this publication cannot be considered to represent part of any contract, whether expressed or implied.

HANSA-TMP reserves the right to amend specifications at their discretion.



Dutch Hydraulic Consultants BV	Tel. : +31-(0)6-83695868
Achterweg ZZ 8	Mail : info@dhc-hydraulic.nl
3216 AB Abbenbroek	Web : www.dhc-hydraulic.nl
Nederland	